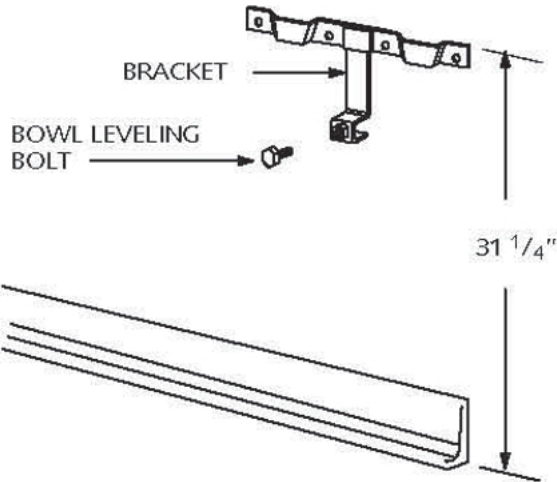
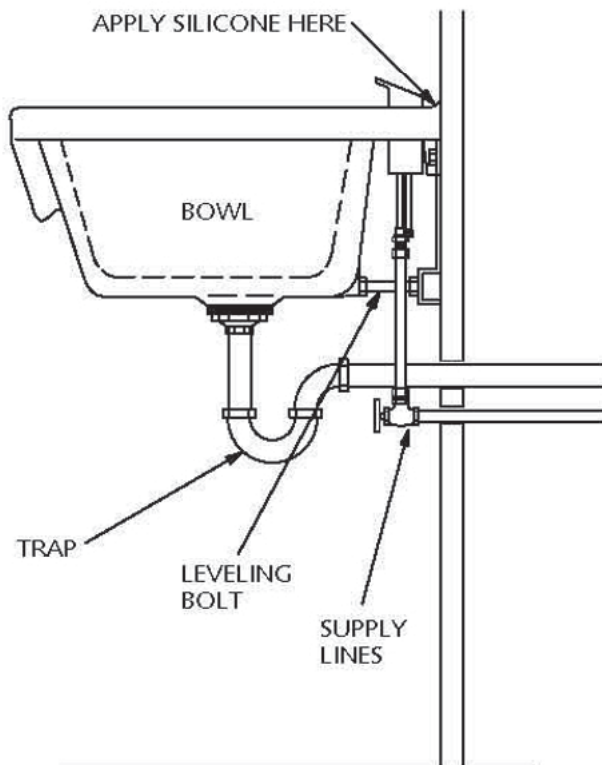


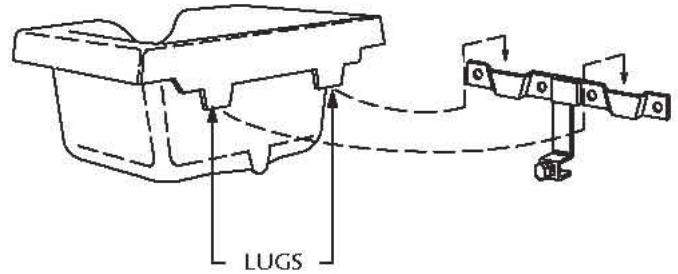
Install the Wall Bracket so that the top edge is 31-1/4" from the finished floor. (This bracket height is suggested to obtain the most suitable neckrest height. However, the bracket height may be varied to suit personal preference.) Be sure that the Bracket is securely fastened to a structural member in the wall. Also, be sure the Bracket is level. Install the Leveling Bolt into the Wall Bracket.



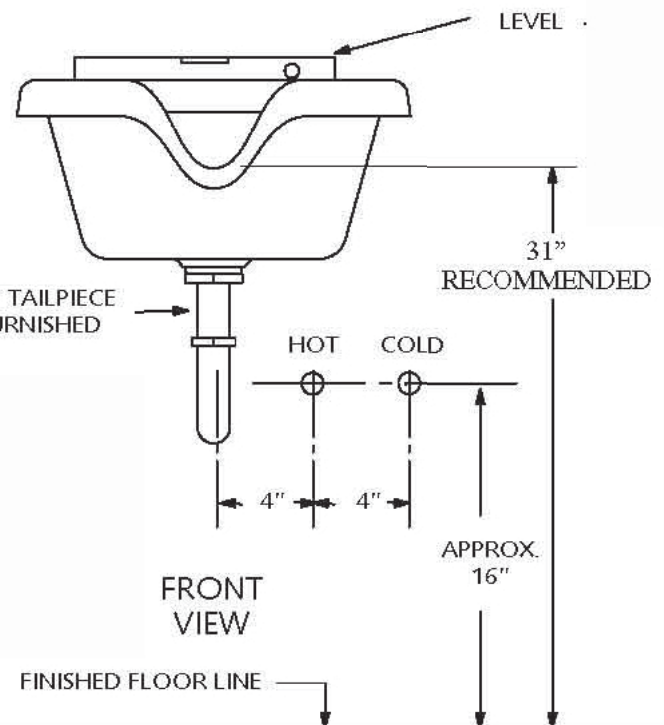
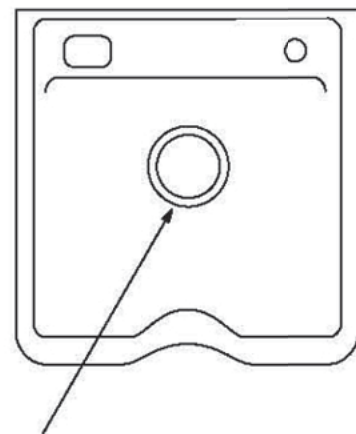
Check to be sure the Bowl is level side-to-side and front-to-back. Connect the Fixture to the hot and cold supply lines. Install the trap and connect the drain. Apply a bead of silicone to the back edge of the Bowl to seal it to the wall.



Mount the Bowl onto the Wall Bracket by lowering the Lugs on the back of the Bowl into the Wall Bracket.

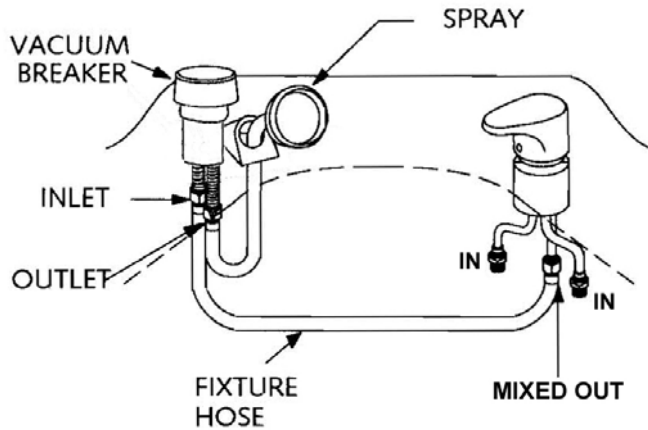


TOP VIEW



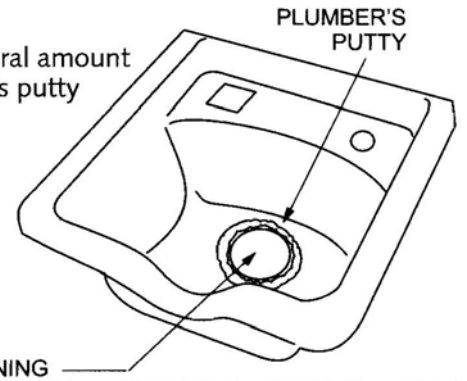
HOSE CONNECTIONS

If your Bowl is equipped with a Vacuum Breaker, connect one end of the Fixture Hose to the inlet side of the Vacuum Breaker. Connect the other end to the Fixture Tailpiece. Attach the Spray Hose connector to the Vacuum Breaker outlet.

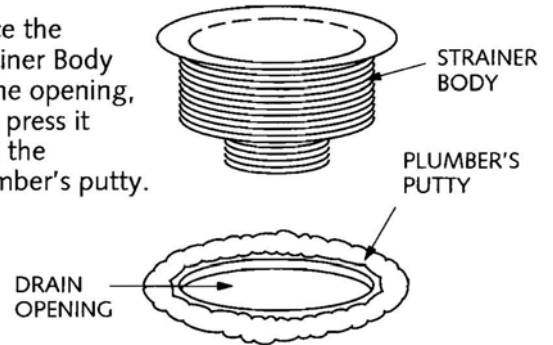


INSTALL THE DRAIN ASSEMBLY

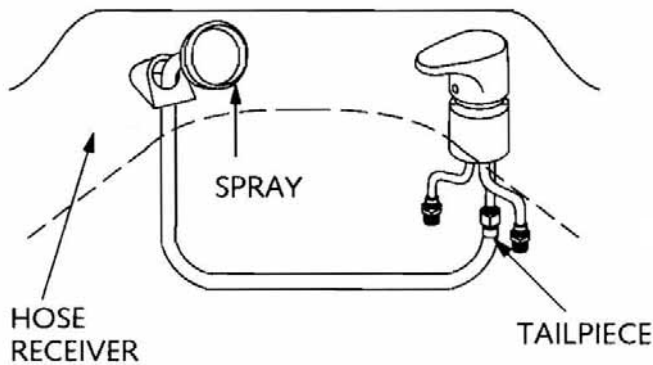
Apply a liberal amount of plumber's putty around the top of the drain opening.



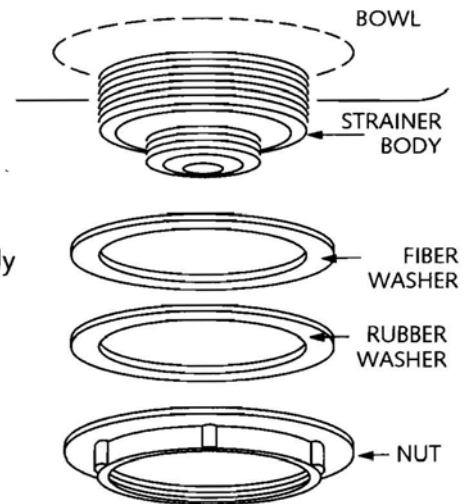
Place the Strainer Body in the opening, and press it into the plumber's putty.



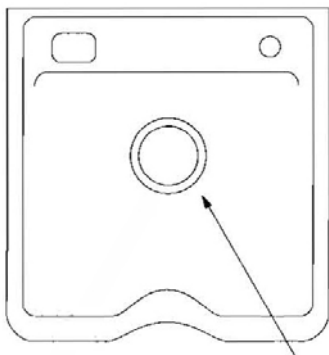
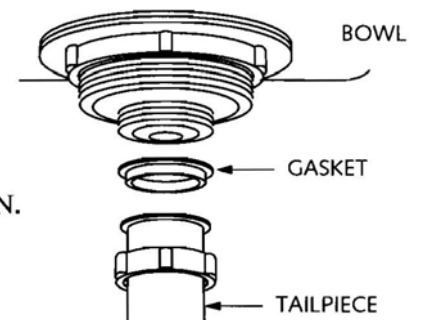
If your Bowl is *not* equipped with a Vacuum Breaker attach the Spray Hose connector to the fixture tailpiece.



From the underside of the Bowl, place the Fiber and Rubber Washers over the Strainer Body. Secure the Strainer Body with the Nut. **DO NOT OVERTIGHTEN.** When the Strainer Body is tightened securely to the Bowl, clean off any excess plumber's putty.



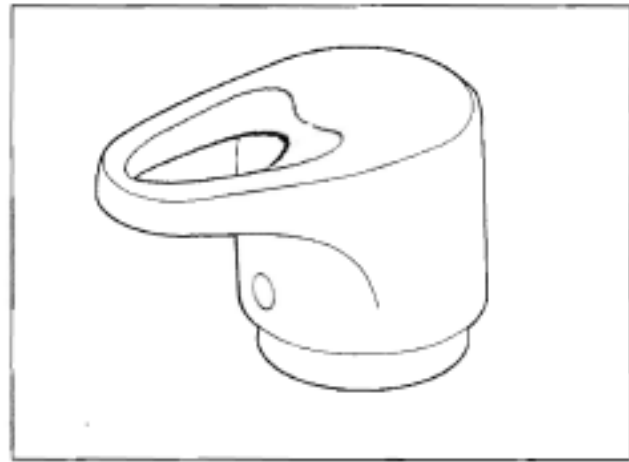
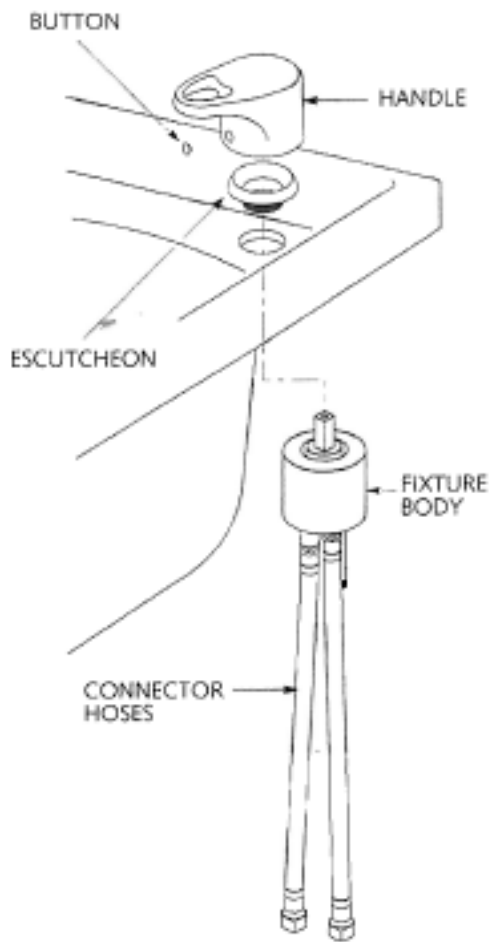
Attach the Gasket and Tailpiece to the Strainer Body. **DO NOT OVERTIGHTEN.**



IMPORTANT!
DO NOT OVERTIGHTEN
DRAIN ASSEMBLY!

3 1/2" BASKET STRAINER

532 INSTALLATION



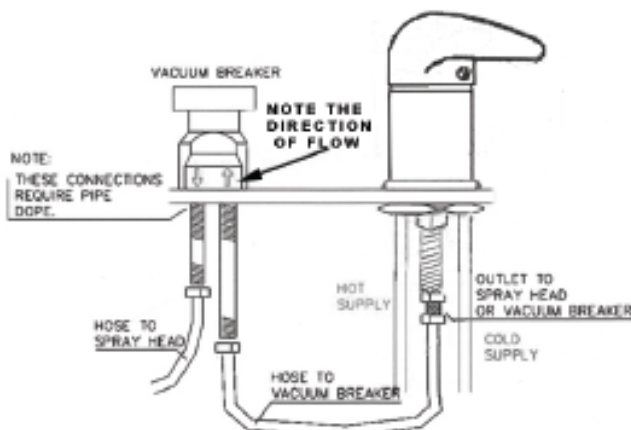
NOTE: Please read these instructions through before starting to familiarize yourself with the components. Any conformance with LOCAL CODES or INSPECTIONS is the RESPONSIBILITY OF THE PURCHASER.

1. We recommend that you install fixtures in the bowl before installing the bowl.
2. Apply a bead of plumbers putty around the fixture hole in the bowl.
3. Place the fixture body on the underside of the fixture hole.
4. From the top side of the bowl, screw the escutcheon onto the fixture.
5. Remove the blue and red button from the front of the handle.
6. Place the handle onto the fixture. Tighten the set screw located in the hole for the button.
7. Replace the button with the red side to the left, blue side to the right.
8. Connect the flexible hoses to the hot and cold supply shut-off valves.
9. Install the vacuum breaker, if so equipped.
10. Connect the Whiz® Spray to the fixture outlet or vacuum breaker. (See bowl instructions.)

CORRECT HOSE CONNECTIONS FOR VACUUM BREAKER

ESPAÑOL: CONEXIONES CORRECTAS de la MANGUERA para el TRITURADOR del VACÍO

FRANCAIS: RACCORDEMENTS CORRECTS de TUYAU pour le BRISEUR de VIDE



ENGLISH: Arrows on the vacuum breaker indicate directional flow of water. Device will leak and not work properly if installed with water flow reversed.

ESPAÑOL: Las flechas en el triturador del vacío indican el flujo direccional de agua. El dispositivo se escapará y no funcionará correctamente si está instalado con la corriente invertida.

FRANCAIS: Les flèches sur le briseur de vide indiquent l'écoulement directionnel de l'eau. Le dispositif coulera et ne fonctionnera pas correctement s'installé avec l'écoulement d'eau a renversé.

VACUUM BREAKER WILL LEAK IF WATER FLOW IS REVERSED



Collins CB-19 Shampoo Bowl

CARE & MAINTENANCE

GENERAL CLEANING: Harsh chemicals and disinfectants may damage your new CB19 Shampoo Bowl. For the best results, use soap and water and/or non-abrasive cleaners. Review the instructions on the bottle before applying any cleaner to the surface. For best results, we recommend the following cleaners be used:

WINDEX, GLASS PLUS, FORMULA 409, MR. CLEAN, SPIC & SPAN, CLOROX

The following cleaners are not recommended for use and may even damage your shampoo bowl:

LYSOL DISINFECTANT SPRAY, LESTOIL, INESOL, WHITECAP, or
DOW DISINFECTANT BATHROOM CLEANER,

ABRASIONS & SCRATCHES: Light abrasions and scratches may be removed and the original gloss substantially restored by using the following materials:

NOVUS PLASTIC POLISH, PERMATEX PLASTIC CLEANER #430D, TURTLEWAX
POLISHING COMPUND, J-WAX AUTOMOTIVE CLEANER/WAX.

FOR MORE STUBBORN STAINS: The following agents may be effective with more stubborn stains, but these agents must be removed quickly and the bowl then be thoroughly cleaned with soap & water to avoid permanent damage.

KEROSENE, RUBBING ALCOHOL mixed with 50% water, TRIALENE SOAP, GASOLINE.

WIPE OFF COLOR and CHEMICALS IMMEDIATELY! PROLONGED EXPOSURE TO THESE CHEMICALS CAN PERMANENTLY DISCOLOR OR DAMAGE THE CB19 BOWL'S FINISH. DO NOT PUT NAIL CARE PRODUCTS, ACETONES, KETONES, ESTERS, OR AROMATIC HYDROCARBONS IN THE SHAMPOO BOWL.

Failure to follow the above instructions, or use of cleaning products not listed above will void the factory warranty.