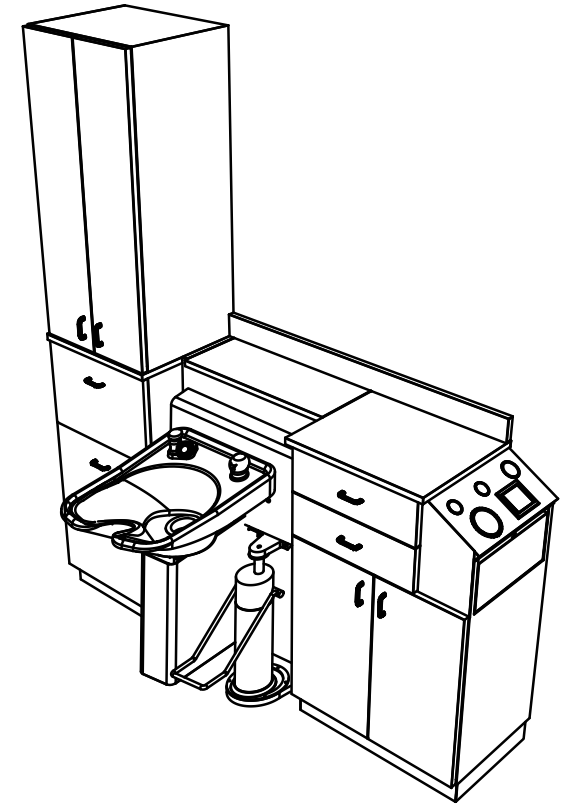


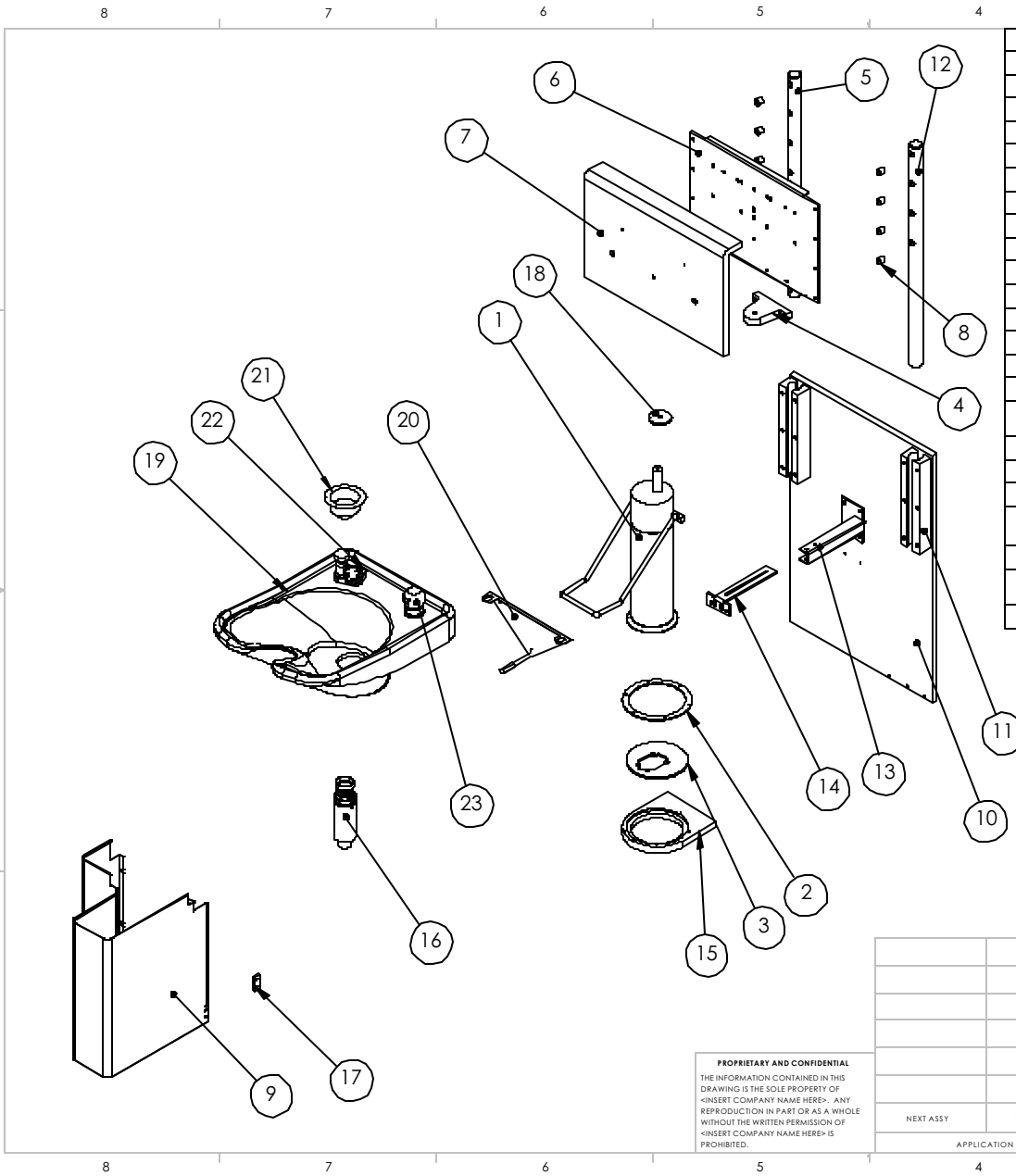
**Depth of bulkhead from wall**  $\rightarrow$  9 <sup>1</sup>/<sub>4</sub>



This drawing is the property of Collins Manufacturing Company and is protected under copyright law.

**collins** Collins  
 2000 Bowser Road  
 Cookeville, TN 38506

Title:		
Size: <b>NTS</b>	Drawing Number:	Drawn By:
Date:	Sheet	



ITEM NO.	PART NUMBER	DESCRIPTION	QTY.
1	K100-34	Hydraulic Lift System	1
2	K100-37	Retainer Ring	1
3	K100-38	Base Plate	1
4	K100-60	Lift Bracket	1
5	K100-61	Left Lift Shaft	1
6	K100-63	Lift Panel	1
7	K100-64	Back Splash	1
8	K100-65	Lift Panel Spacer	8
9	K100-68	Shroud	1
10	K100-85	Wall Mounting Panel	1
11	K100-70	Lift Guide	4
12	K100-71	Right Lift Shaft	1
13	K100-72	Drain Support Bracket	1
14	K100-73	Drain Clamp Bracket	1
15	K100-74	Floor Plate	1
16	K100-75	Multi-Stage System	1
17	K100-89	Shroud Guide	1
18	K100-92	Clamp Ring	2
19	3000W	Shampoo Bowl	1
20	bowl mounting bracket	Bowl Manufacturer's Bracket	1
21	basket	Bowl Manufacturer's Basket	1
22	Vacuum Breaker	Manufacturer's Vacuum Breaker	1
23	faucet	Manufacturer's Faucet #550	1

**PROPRIETARY AND CONFIDENTIAL**  
 THE INFORMATION CONTAINED IN THIS DRAWING IS THE SOLE PROPERTY OF <INSERT COMPANY NAME HERE>. ANY REPRODUCTION IN PART OR AS A WHOLE WITHOUT THE WRITTEN PERMISSION OF <INSERT COMPANY NAME HERE> IS PROHIBITED.

		UNLESS OTHERWISE SPECIFIED:		NAME	DATE
		DIMENSIONS ARE IN INCHES		DRAWN	C. Scheff 10/15/07
		TOLERANCES:		CHECKED	
		FRACTIONAL $\pm$		ENG APPR.	
		ANGULAR: MACH $\pm$ BEND $\pm$		MFG APPR.	
		TWO PLACE DECIMAL $\pm$		Q.A.	
		THREE PLACE DECIMAL $\pm$		COMMENTS:	
		INTERPRET GEOMETRIC TOLERANCING PER:			
		MATERIAL			
		FINISH			
NEXT ASSY	USED ON	APPLICATION	DO NOT SCALE DRAWING		

**Accessible Systems LLC**

TITLE:  
**Adjust-a-Sink  
 Multi-Stage System**

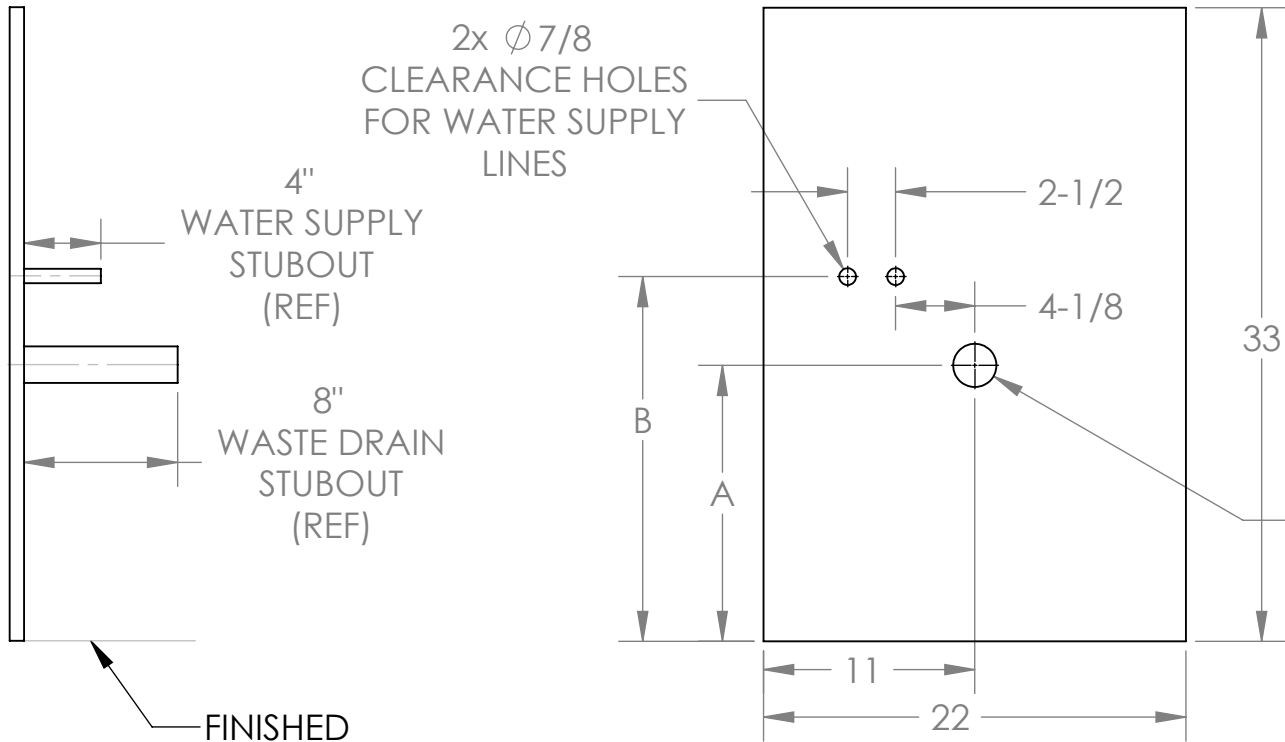
SIZE	DWG. NO.	REV
<b>B</b>	<b>K100</b>	<b>A</b>

SCALE: 1:12 WEIGHT: SHEET 2 OF 2

## Waste Drain and Water Supply Configurations

Drain Type	Dimension A Min	Dimension A Max	Dimension B Min	Dimension B Max
Standard with Hair Trap	12"	14-3/8"	10"	19"
Standard without Hair Trap	5"	14-3/8"	10"	19"
High Drain without Hair Trap	14-3/8"	19"	10"	14"

**NOTE:** FOR USE WITH MARBLE PRODUCTS 3000W SHAMPOO BOWL WITH OR WITHOUT HAIR INTERCEPTOR



**NOTE:**

1) REFERENCE THE TABLE FOR THE APPROPRIATE WATER SUPPLY AND DRAIN DIMENSIONS.

2) THE DENOTED DIMENSIONS ARE CRITICAL LOCATIONS FOR THE PIPES PASSING THROUGH THE MOUNTING PANEL. ENSURE ALL PIPES PASSING THROUGH FALL WITHIN THESE DIMENSIONS.

**3) PLEASE ADVISE WASTE WATER DRAIN WALL LOCATION WHEN ORDERING!**

Ø2-1/4  
CLEARANCE HOLE  
FOR WASTE DRAIN  
PIPE

FINISHED FLOOR (REF)

**PROPRIETARY AND CONFIDENTIAL**  
THE INFORMATION CONTAINED IN THIS DRAWING IS THE SOLE PROPERTY OF ACCESSIBLE SYSTEMS, LLC. ANY REPRODUCTION IN PART OR AS A WHOLE WITHOUT THE WRITTEN PERMISSION OF ACCESSIBLE SYSTEMS, LLC IS PROHIBITED.

		UNLESS OTHERWISE SPECIFIED:	NAME	DATE
		DIMENSIONS ARE IN INCHES TOLERANCES: FRACTIONAL ± 1/16 ANGULAR: MACH ±    BEND ± TWO PLACE DECIMAL ± THREE PLACE DECIMAL ±	DRAWN	C SCHEFF 4/17/08
		INTERPRET GEOMETRIC TOLERANCING PER:	CHECKED	
		MATERIAL	ENG APPR.	
		FINISH	MFG APPR.	
NEXT ASSY	USED ON		Q.A.	
APPLICATION		DO NOT SCALE DRAWING	COMMENTS:	

Accessible Systems, LLC

**TITLE: ROUGH-IN FOR  
K100 3-STAGE  
PLUMBING**

<b>A</b>	<b>DWG. NO. K100-87</b>	<b>REV C</b>
----------	-------------------------	--------------

SCALE: 1:8    WEIGHT:    SHEET 1 OF 1