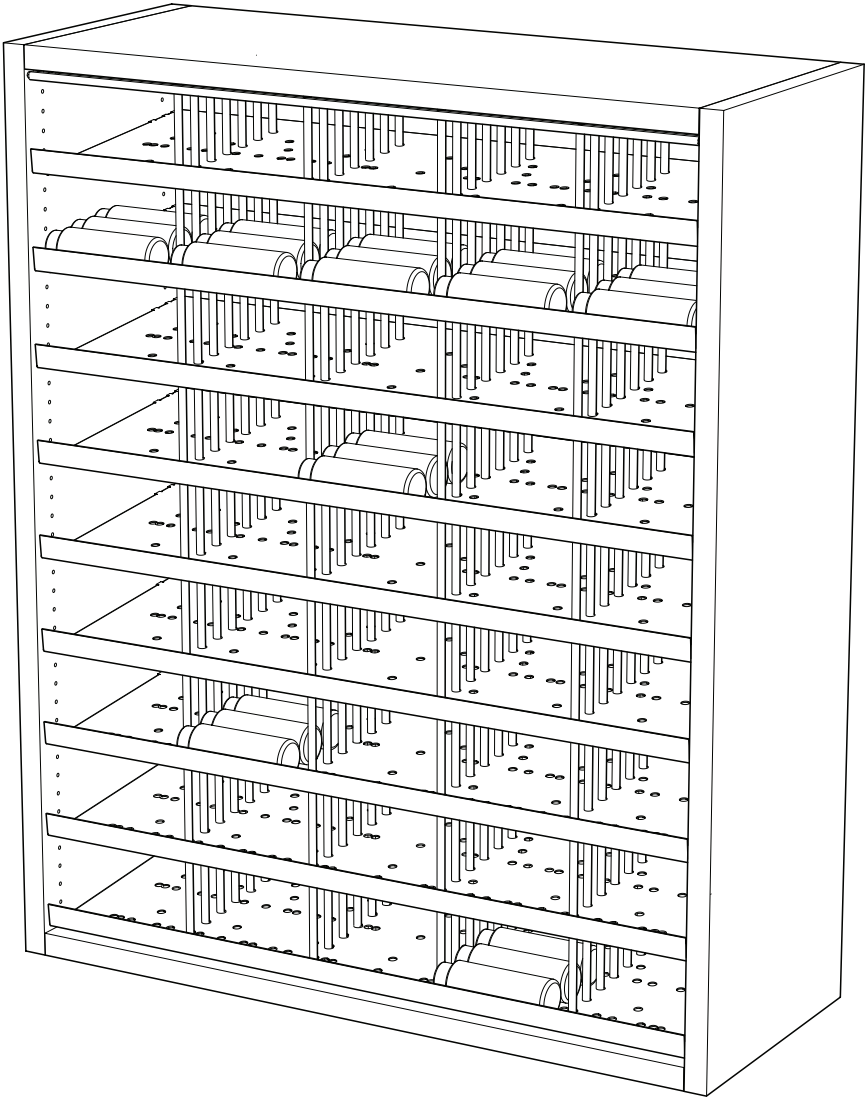


THE MOST IMPORTANT TOOLS SINCE YOUR SHEARS.®

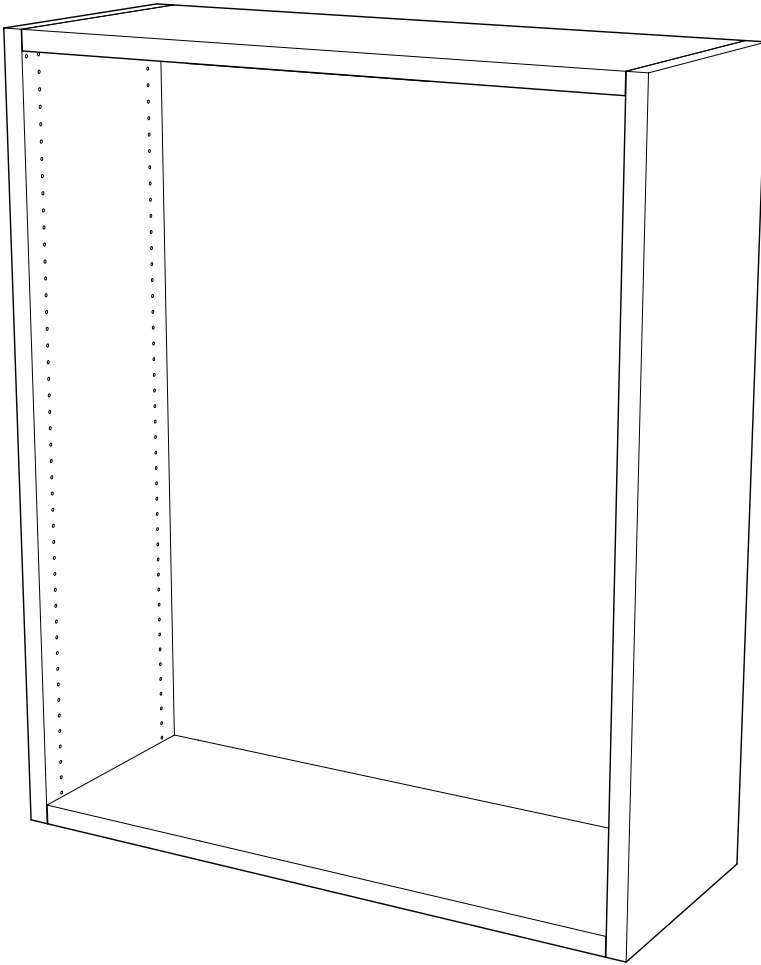
# DYERECTOR ModCab<sup>+</sup>



Assembly should only be carried out by qualified persons.  
Improper assembly may lead to product damage and/or injury.

**dyerector**<sup>®</sup>

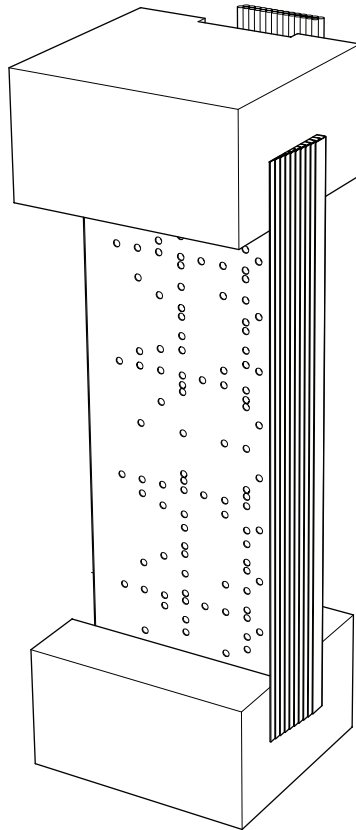
## STEP 1: UNBOXING



### STEP 1:

After removing all external packing materials from the cabinet the ModCab+ will look like the image above.

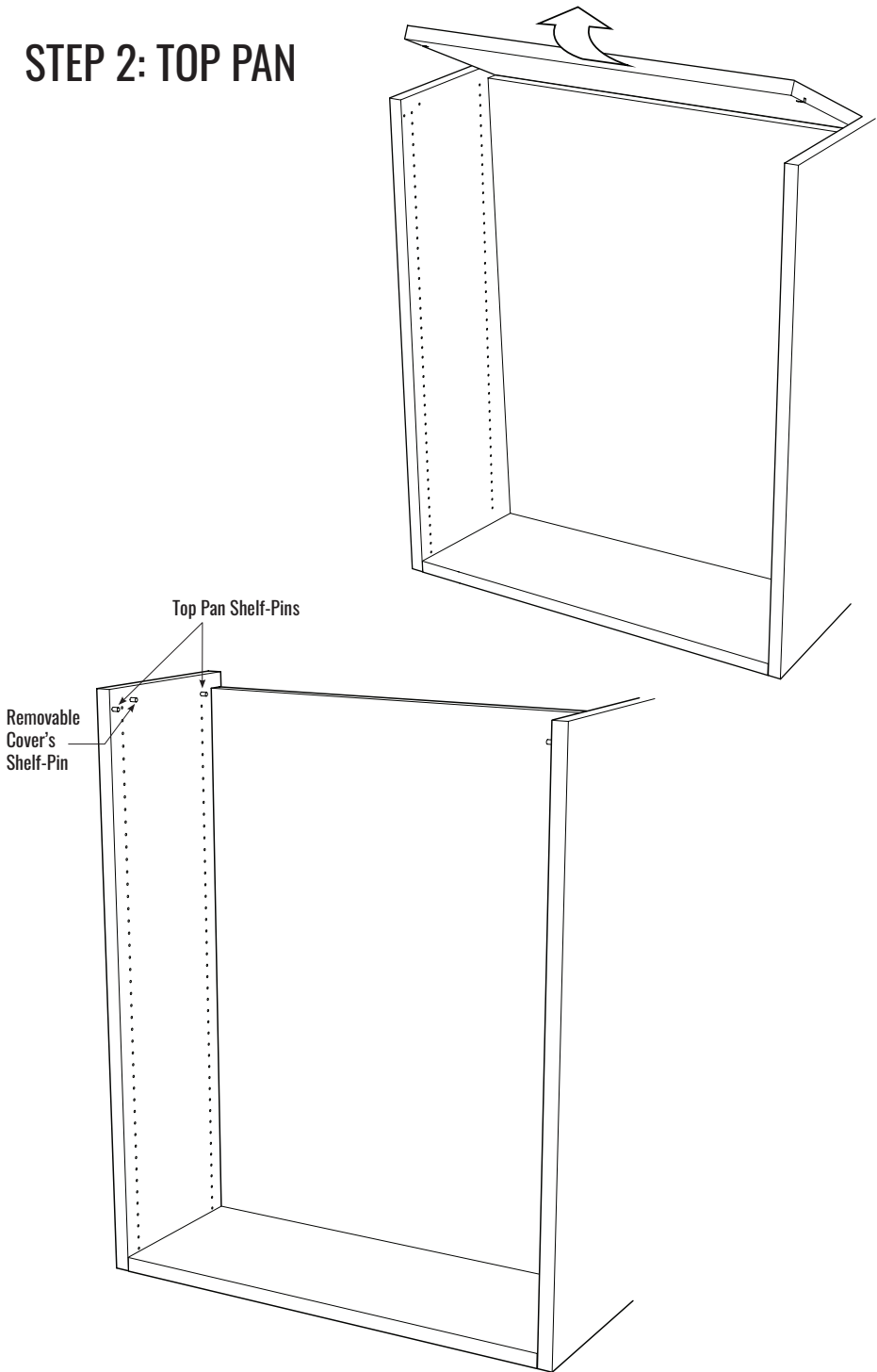
## STEP 1: UNBOXING cont'



### STEP 1 cont' :

In a separate box, you'll find the Wall Z Rail System, Shelves, Divider Rods and Shelf-Pins.

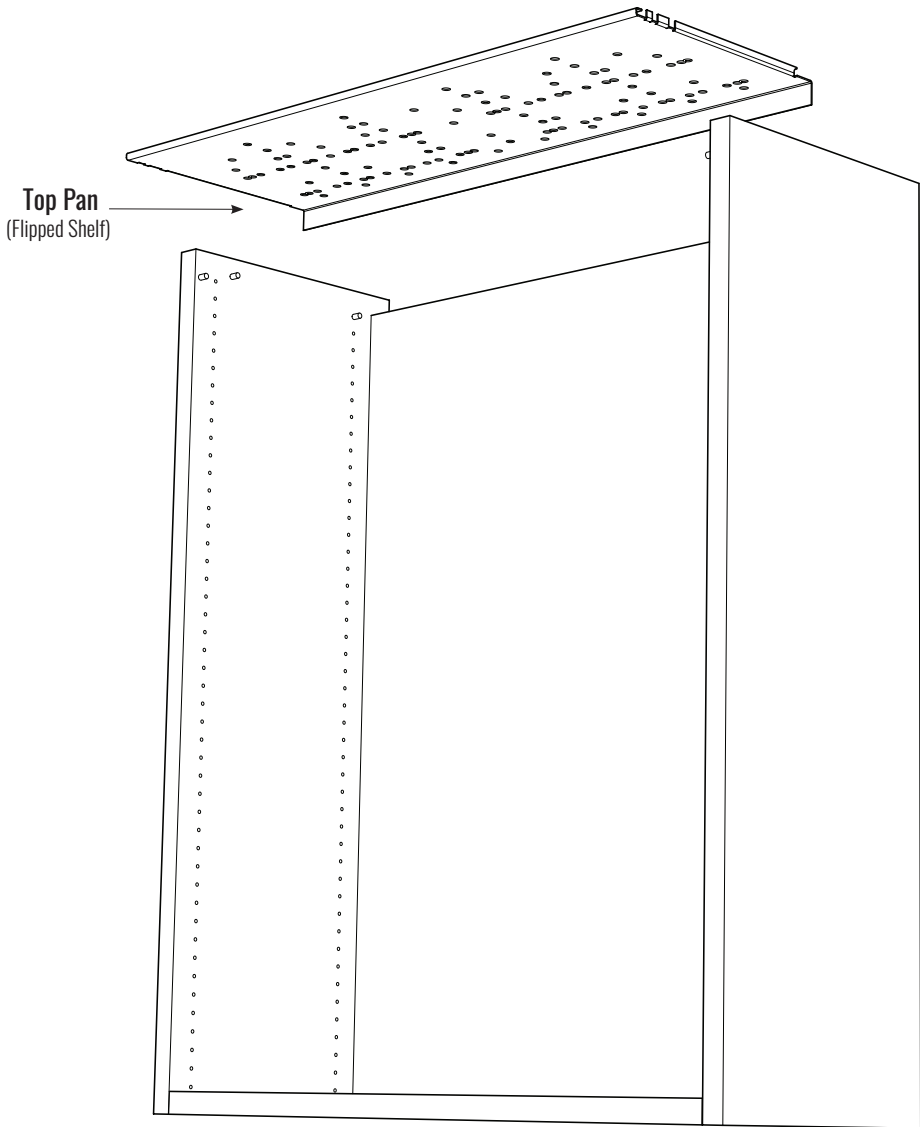
## STEP 2: TOP PAN



### STEP 2 :

Remove the tape from the upper cabinet lid and proceed to rotate and lift away. In preparation for installing the Top Pan, place 4 Shelf-Pins in the holes shown above (2 on each side of the cabinet).

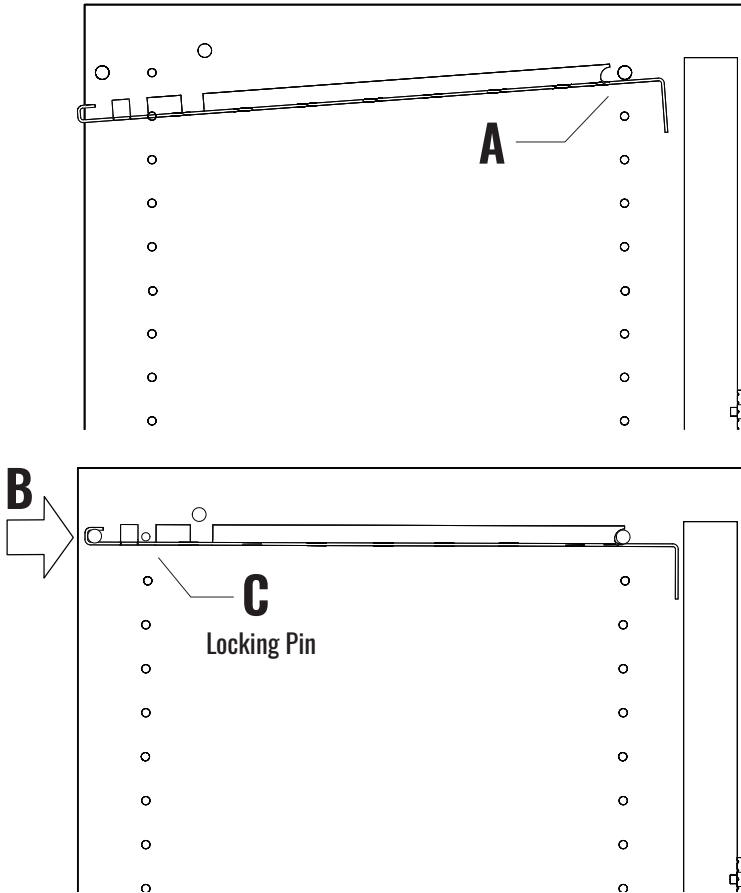
## STEP 2: TOP PAN cont'



### STEP 2 cont':

The **Top Pan** is a **flipped Shelf** that resides at the top of the cabinet and will be used to guide the installation of the Divider Rods based on your inventory needs. Take a Shelf and rotate it 180 degrees with the longer flange in the back as shown above. See the images on the next page for installation.

## STEP 2: TOP PAN cont'

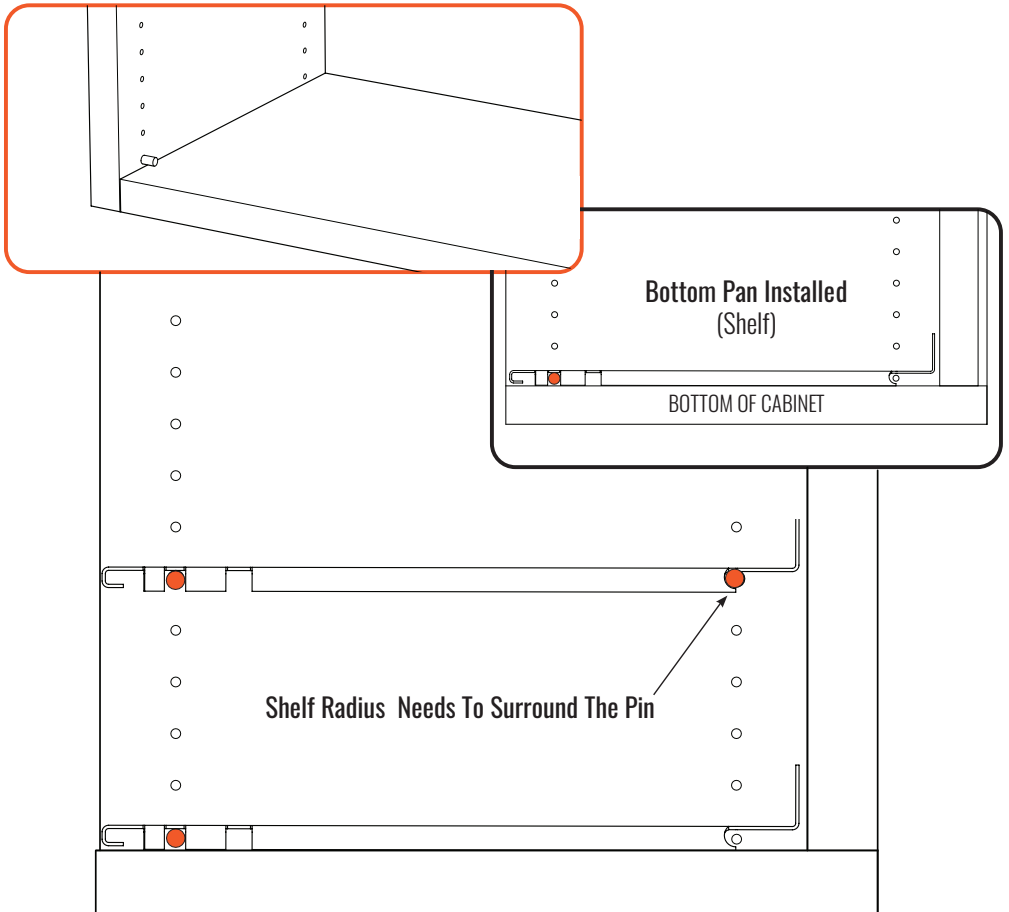


### STEP 2 TOP PAN cont':

Align the back of the Shelf on the Rear-pin. (A) As the Shelf is rotated upwards slide the Front-pin into the curled-lip on the front of the Shelf. (B) Next, slide a Shelf-Pin (C) to lock and secure the Top Pan into place.

# BOX CONFIGURATION

Place 2 Pins in the front positions at the base of cabinet. 1 on each side.



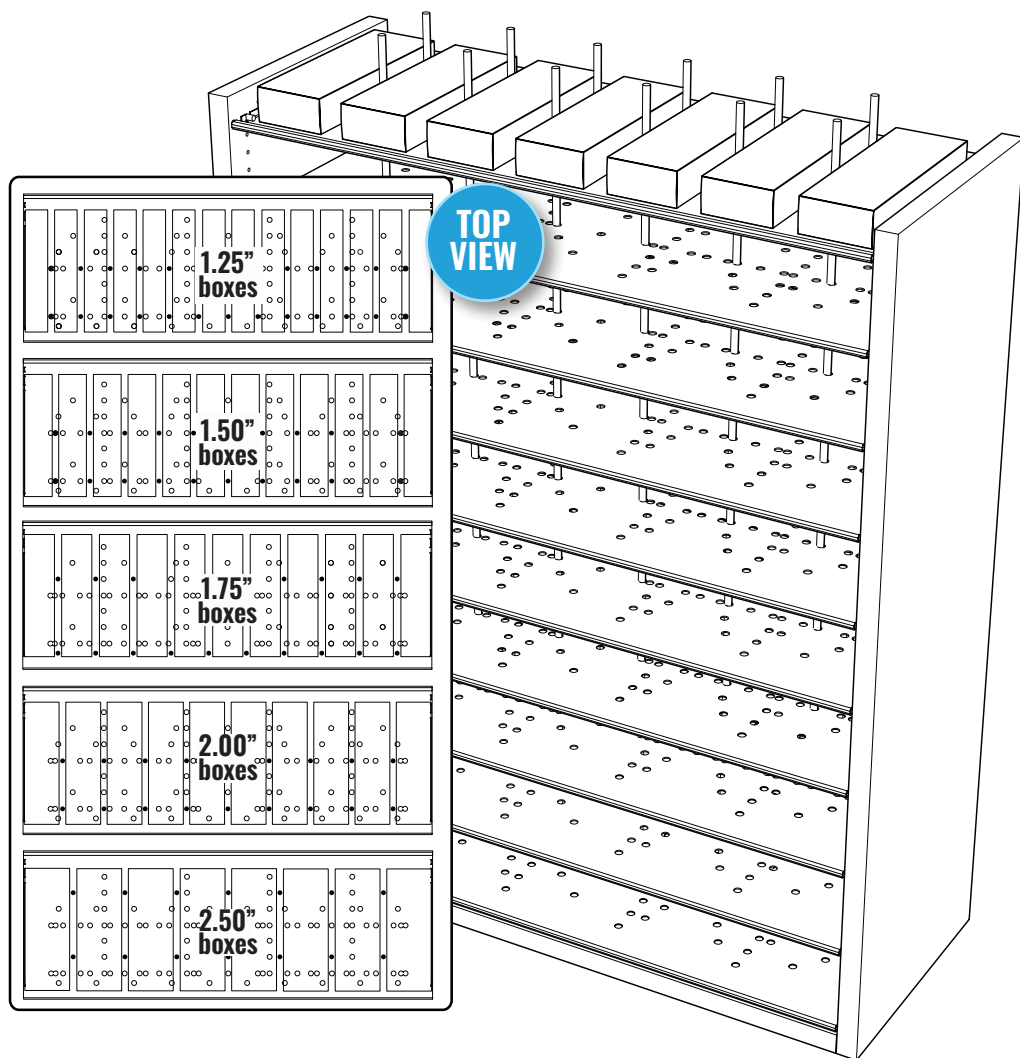
## Box Configuration:

Place 1 Shelf-Pin (**on each side**) at the front-bottom of the unit, to secure the Bottom Pan (shelf).

**Shelf Placement** will determine how many boxes per subsection. The easiest way is to stack your boxes and place the Shelf-Pins into the exposed hole right above your box (storing up to 6 shades per Shelf). When installing the Shelf, place the back part of the Shelf's radius around the pin and then place the front of the Shelf down (above picture); securing the front of the Shelf.

**\*Note:** For equal Shelf spacing, leave 4 holes empty between Shelves.

# BOX CONFIGURATION



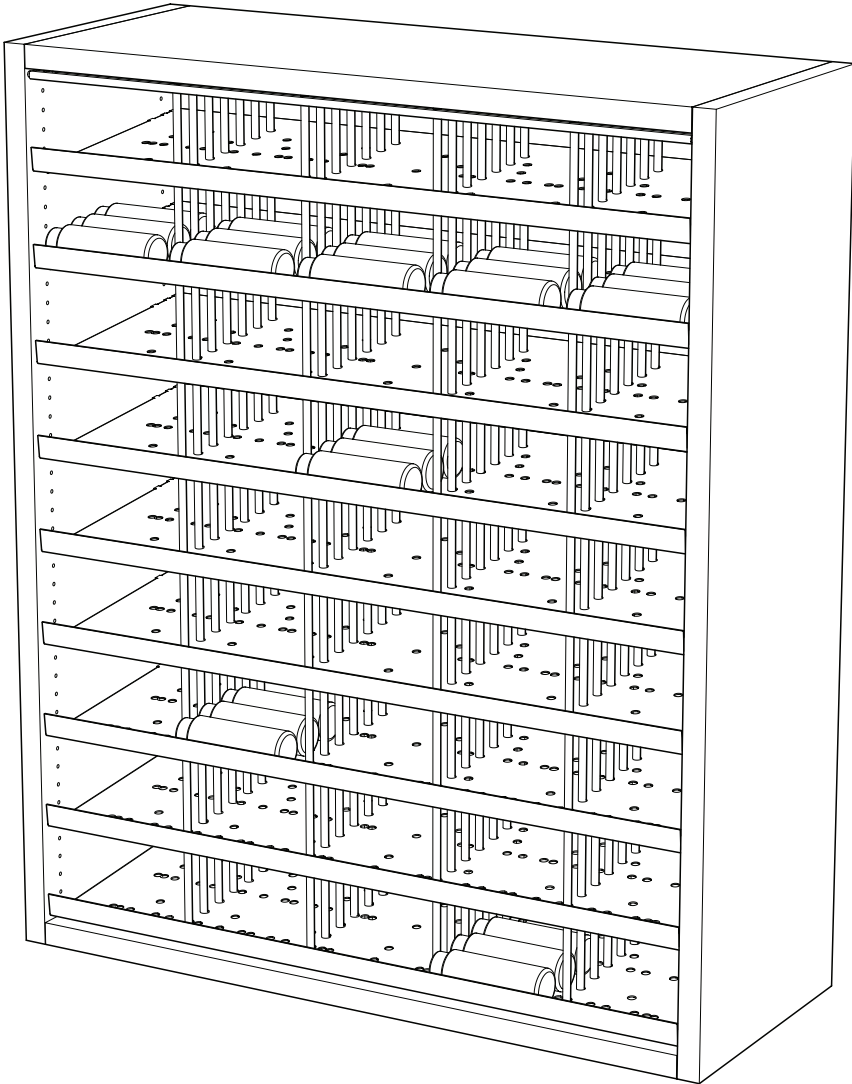
## Box Configuration cont':

Place your inventory on the top of the cabinet, in the Top Pan, to discover the optimal placement for the Divider Rods. (2) Divider Rods are used per section for all box configurations. Once you have finished installing all Divider Rods, place the Removable Cover back onto the unit and move to Step 3 Wall Mounting.

\*Use the example illustrated above as inspiration based on common inventory packaging. The system is modular and flexible based on your salon needs.



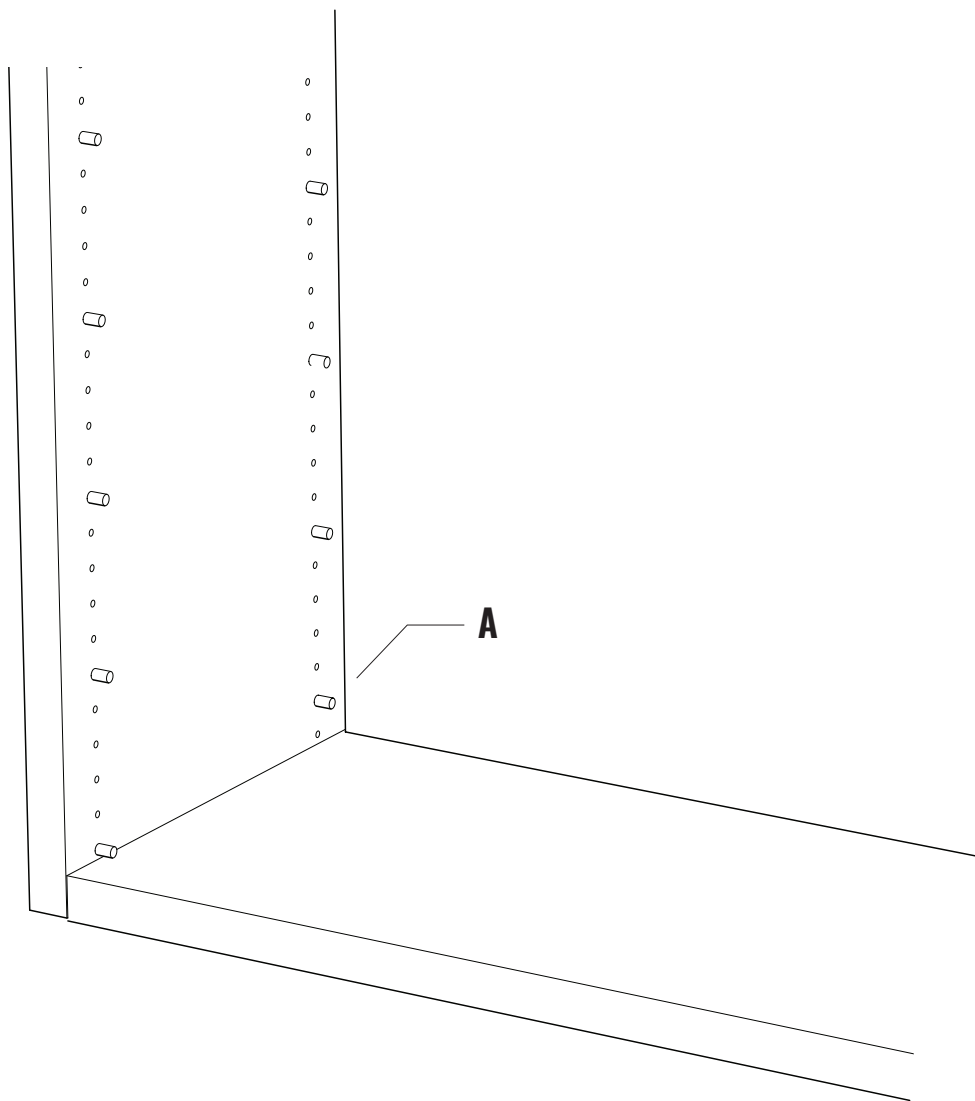
# BOTTLE CONFIGURATION



## **Bottle Configuration:**

There is only (1) configuration to angle your Shelves, so that your bottles roll forward. See Image on next page.

## BOTTLE CONFIGURATION cont'

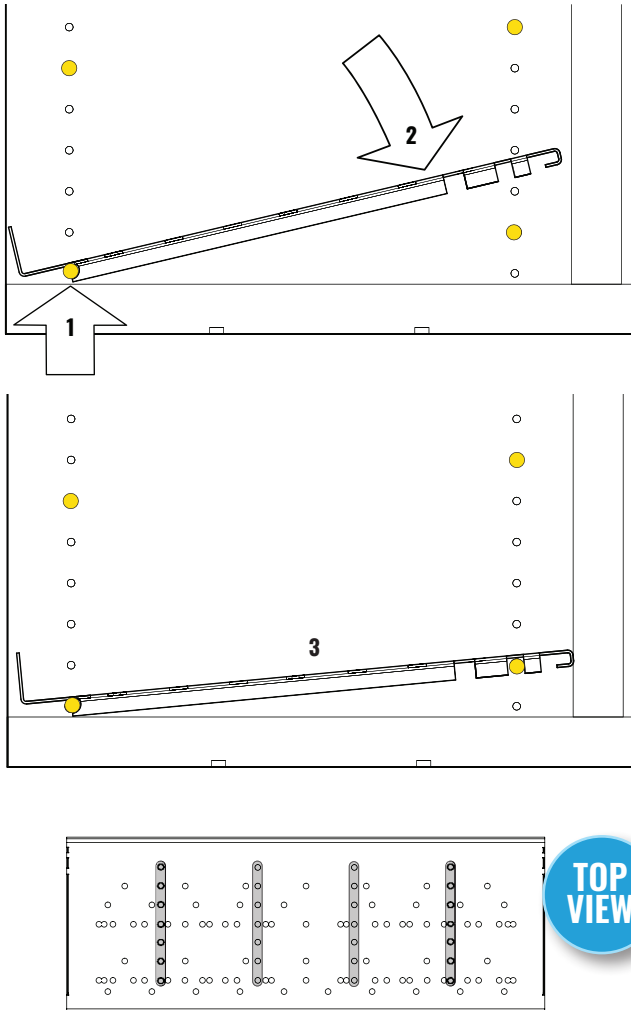


### Bottle Configuration cont':

You need 4 open Shelf-Pin Locations between each Pin at the front of the unit and at the back of the unit. **Except at the back (A)**, start the same pattern by placing the first Shelf-Pin into the 2nd Shelf-Pin hole from the bottom. Repeat this process on the other side of the Cabinet.

**NOTE:** The Top Shelf will have 3 open Shelf-Pin Locations in the back and 4 open Shelf-Pin Locations in the front.

# BOTTLE CONFIGURATION cont'



TOP VIEW

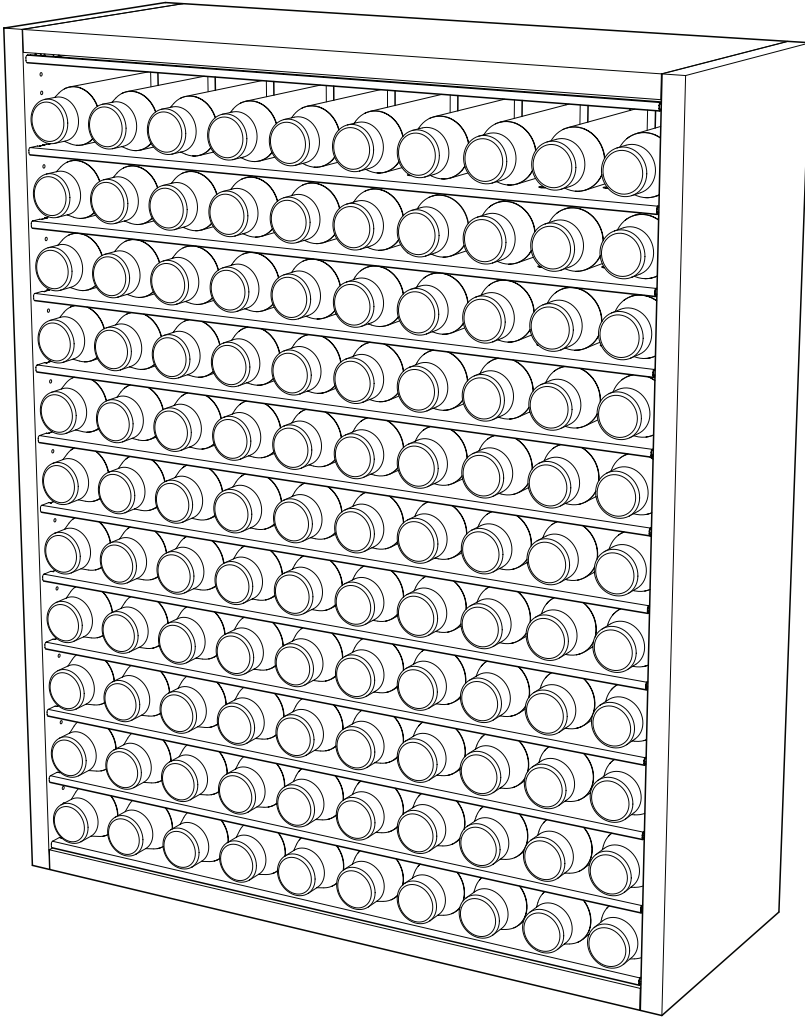
## Bottle Configuration cont':

Place the Shelf so that the extended lip is facing the front. Hook the Shelf detail on the Shelf-Pin (1) and then pivot Shelf (2) into final angled position (3). Repeat this process for the remaining Shelves leaving 4 open pin holes between each Shelf-Pin.

Divider Rod placement for Bottles requires 7 Rods per section utilizing the 4 shelf divisions designated in the image above.

# CANISTER CONFIGURATION

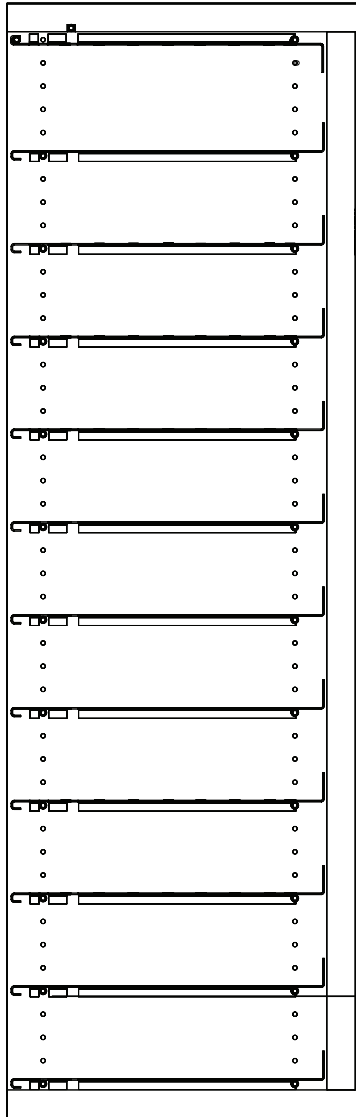
(2 Additional Shelves Required)



## Canister Configuration:

This configuration requires the purchase of 2 Additional Shelves.

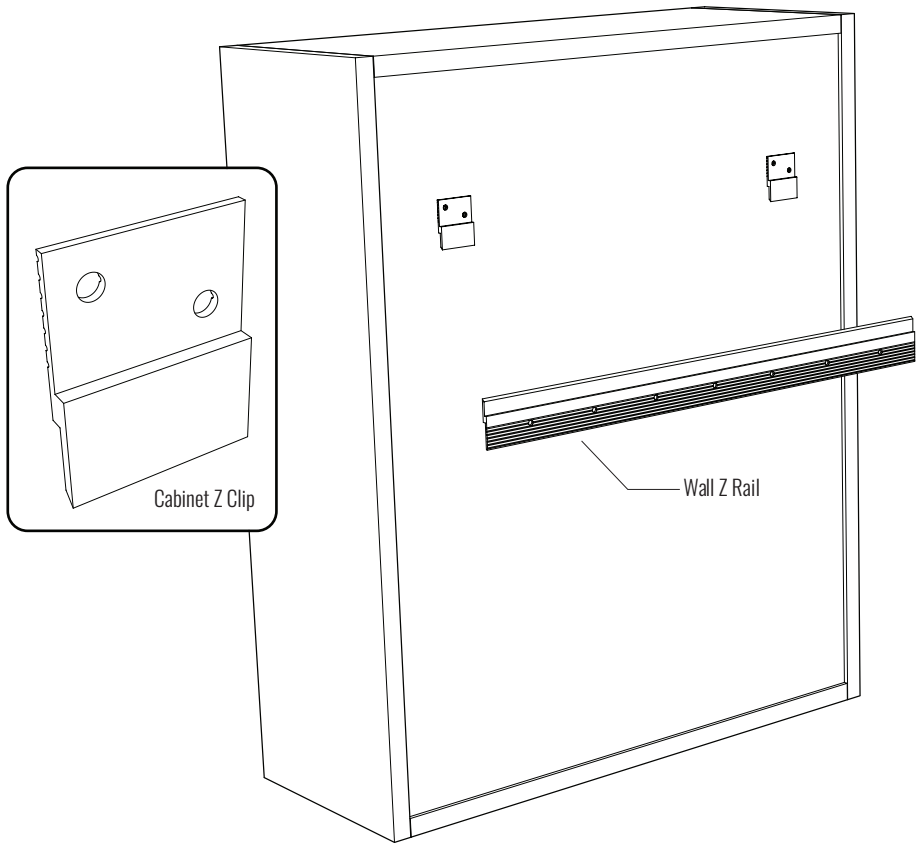
# CANISTER CONFIGURATION cont'



## Canister Configuration cont'

Leave 3 Shelf-Pin locations open, in between each shelf, starting from the bottom. You will be left with a larger shelf space at the very top (4 open pin locations) with a total of 11 functional Shelves.

## STEP 3: WALL MOUNTING



### STEP 3:

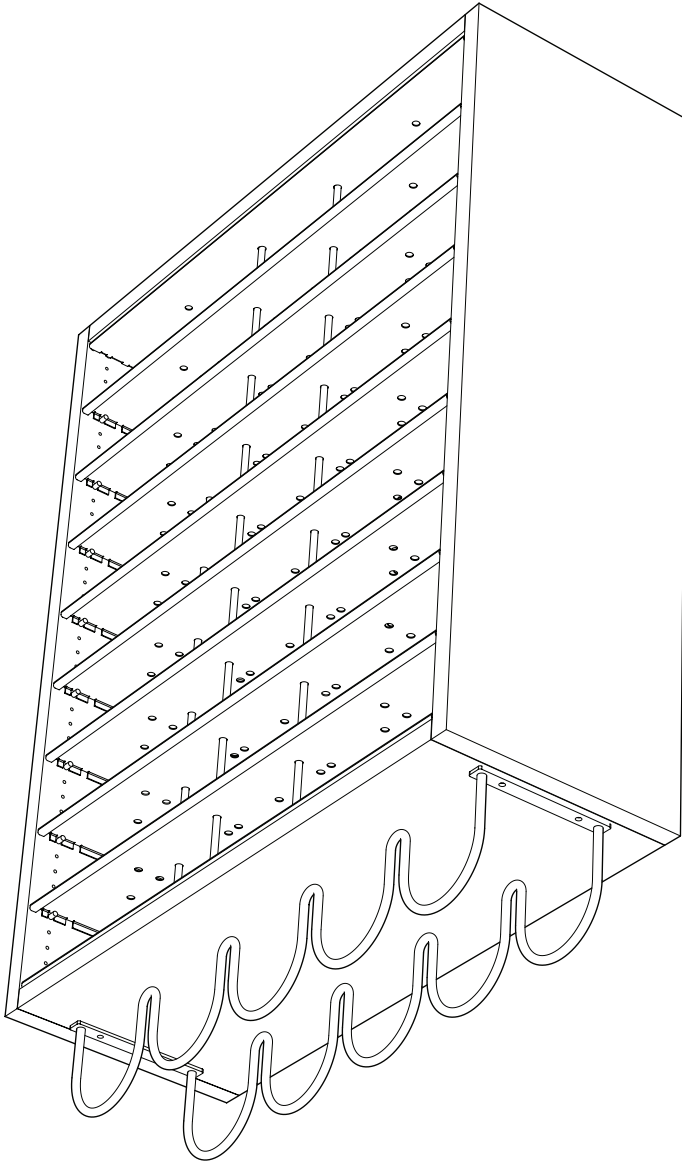
Install the Cabinet Z Clips (screws provided).

#### **IMPORTANT:**

Assembly should only be carried out by qualified persons. Improper assembly or wall-mounting may lead to product damage and/or injury. Hardware for attaching this product to a wall is not included. For advice on suitable mounting hardware, contact a local hardware specialist.

# Developer Rack+

(Optional Accessory)



## Installing Developer Rack+ to ModCab+

With ModCab+ mounted to the wall, unfold Developer Rack+ and fasten to the designated holes in the base of the cabinet (screws provided).

**THE MOST IMPORTANT TOOLS  
SINCE YOUR SHEARS.®**

---

**dyerector**

A Collins Company  
2000 Bowser Rd  
Cookeville, TN 38506  
844.393.7328  
[www.dyerecator.com](http://www.dyerecator.com)