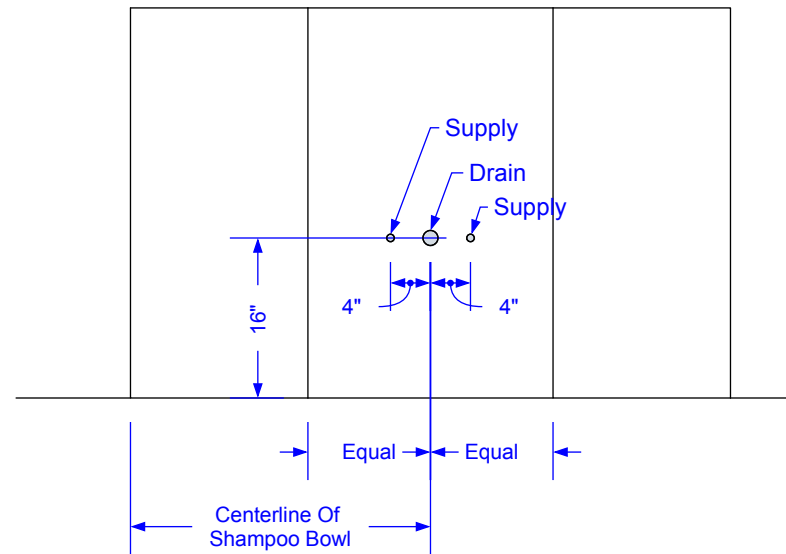
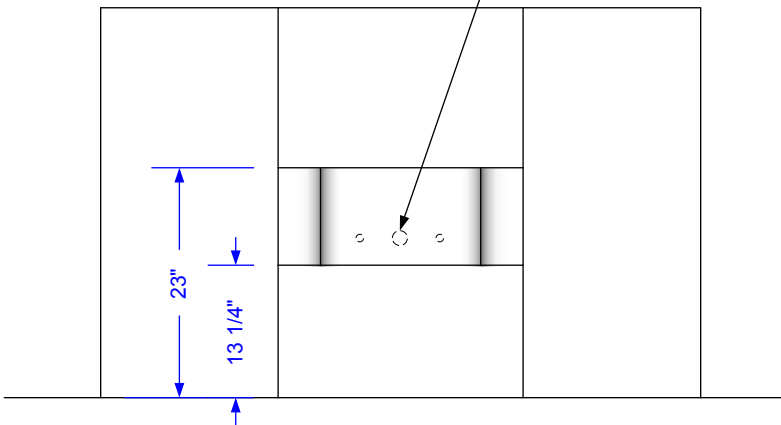


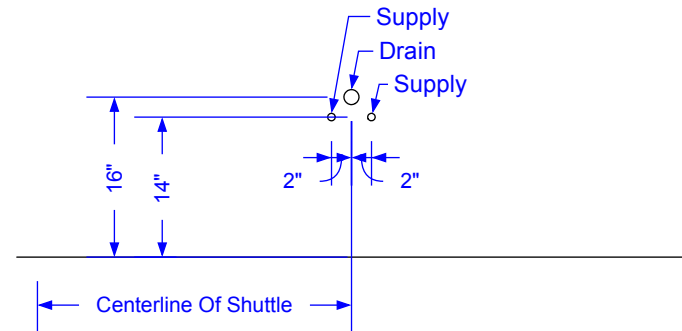
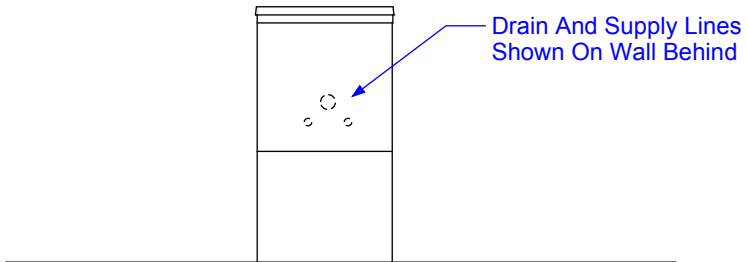
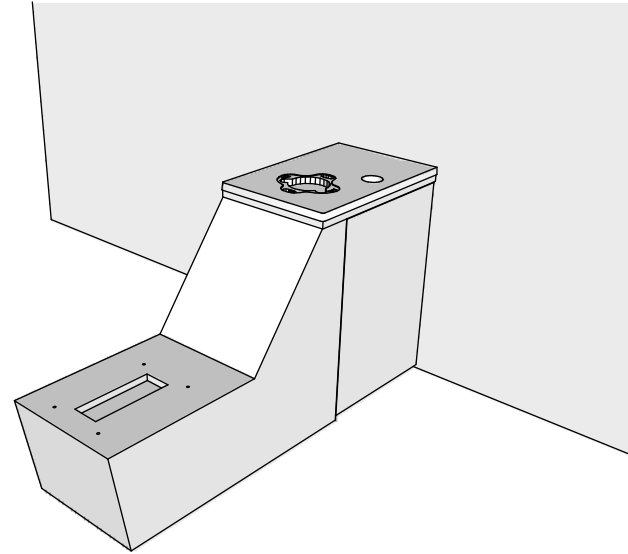
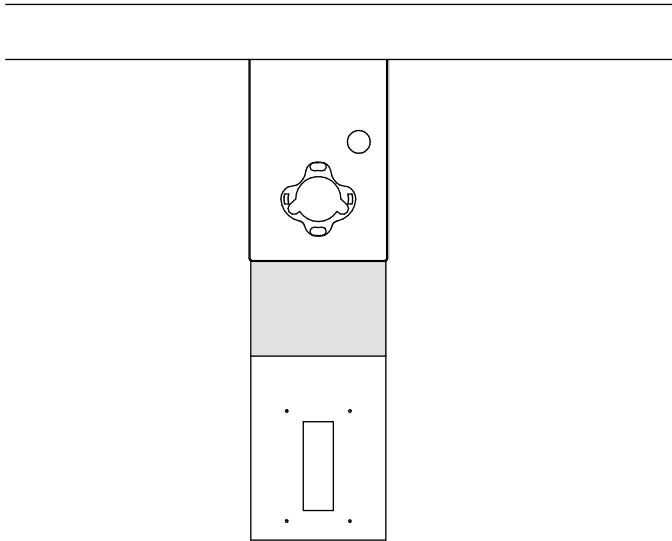
Drain And Supply Lines
Shown On Bulkhead Behind



Stub Out Information - T100 Unit On Typical Wet Station


Shampoo Bowl & Some Details Omitted For Clarity

collins		Collins Manufacturing 2000 Bowser Road Cookeville, TN 38506	
Title: Typical Stub Out Details			
Size: NTS	Quotation or Sales Order Number: SO #	Drawn By: MRB	
Prepared Date: 12/17/18	Revision Date: Date	Revision Number: Rev #	Sheet: 1 of 7



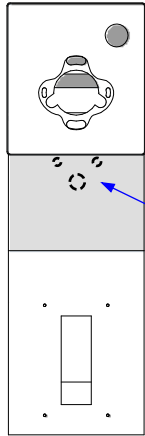
Stub Out Information - AOS Shuttle

Shampoo Bowl & Seat Omitted For Clarity

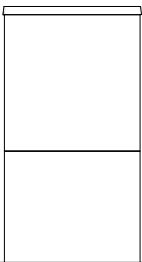
		Collins Manufacturing 2000 Bowser Road Cookeville, TN 38506	
		Title: Typical Stub Out Details	
Size:	Quotation or Sales Order Number:	Drawn By:	
NTS	SO #	MRB	
Prepared Date:	Revision Date:	Revision Number:	Sheet:
12/17/18	Date	Rev #	2 of 7



36" Recommended To
Back Wall Or Back-Bar



Drain And Supply Lines
Shown On Floor Below



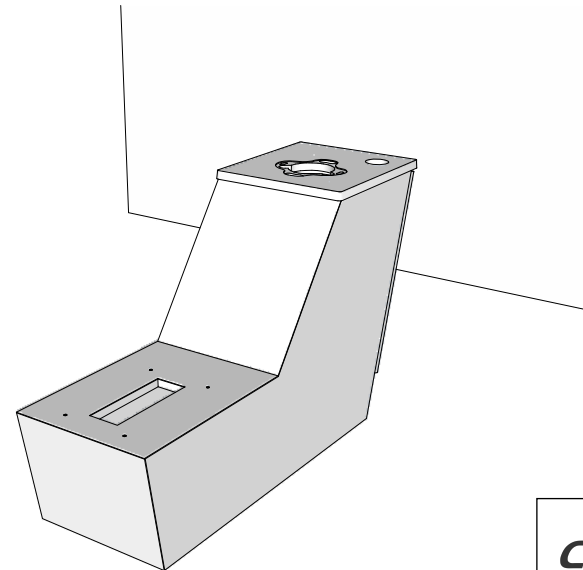
Centerline
Of Shuttle

Supply
Drain
Supply

2" 2"

51"

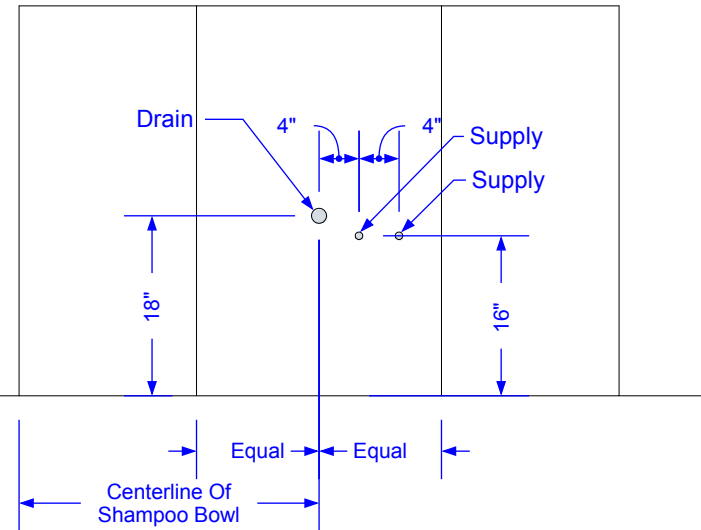
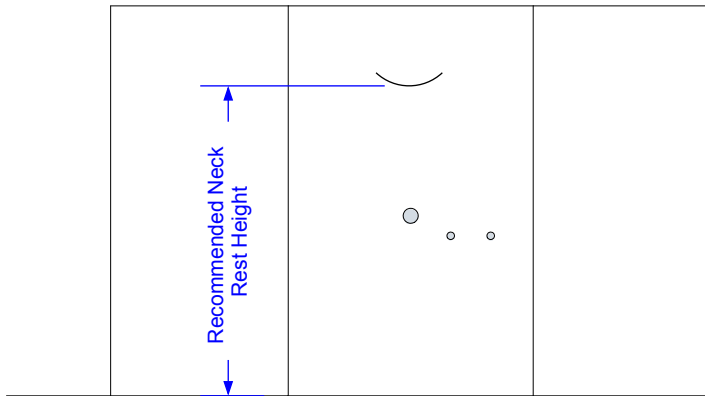
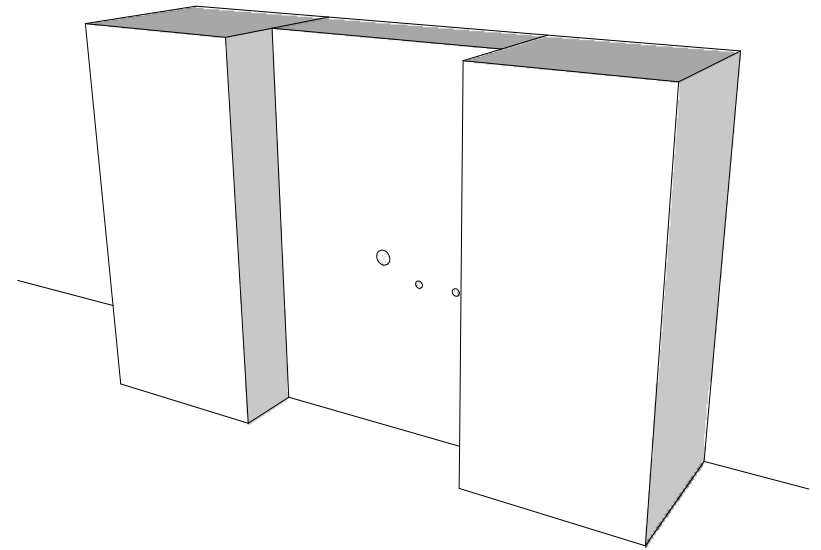
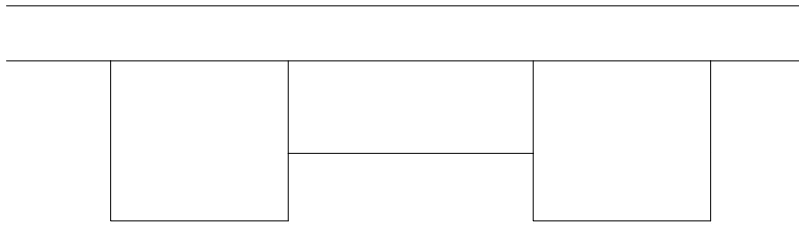
53"



Stub Out Information - BWS Shuttle


Shampoo Bowl & Seat Omitted For Clarity

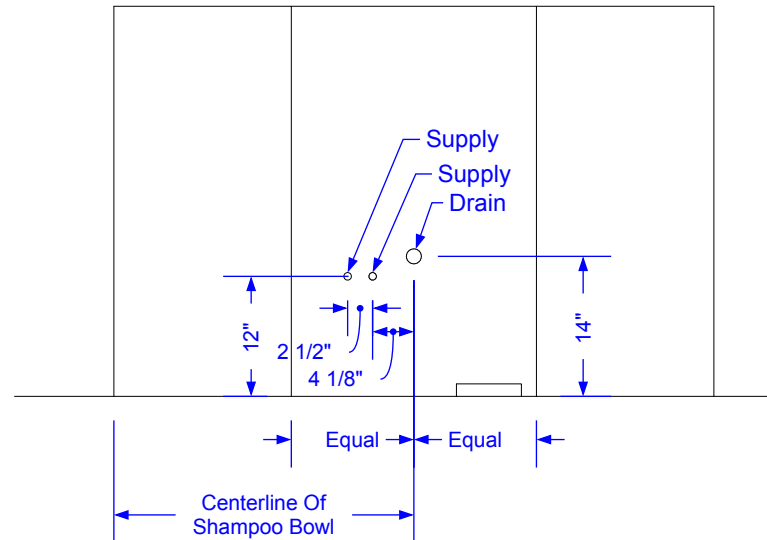
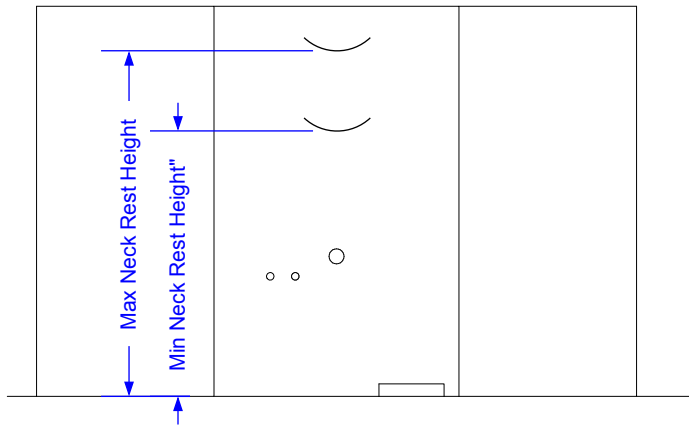
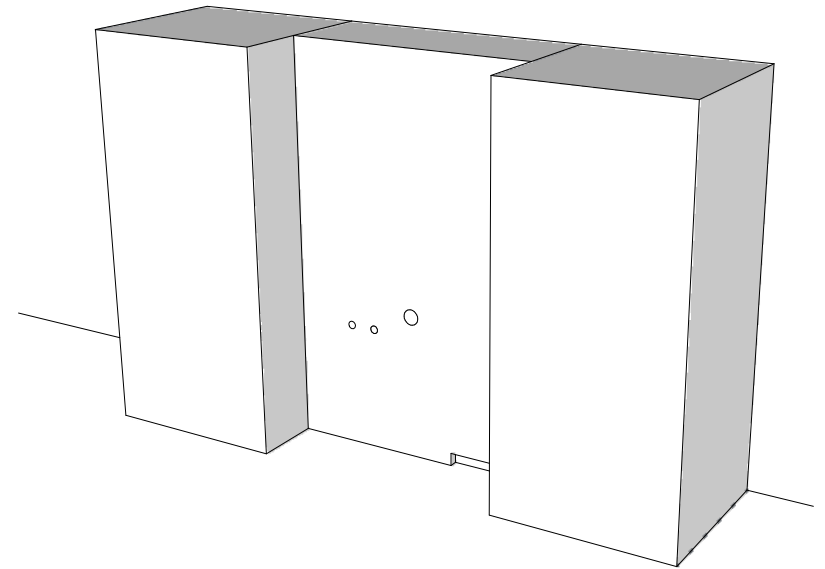
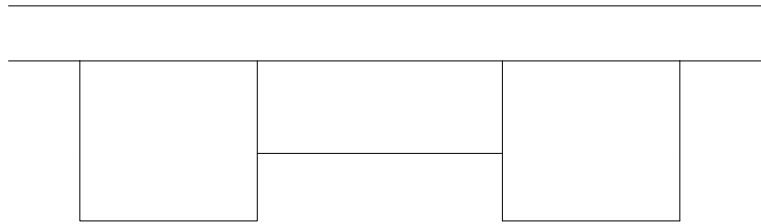
			Collins Manufacturing 2000 Bowser Road Cookeville, TN 38506
Title: Typical Stub Out Details			
Size: NTS	Quotation or Sales Order Number: SO #	Drawn By: MRB	
Prepared Date: 12/17/18	Revision Date: Date	Revision Number: Rev #	Sheet: 3 of 7



Stub Out Information - Shampoo Bowl On Typical Wet Station
Shampoo Bowl On A Wall Or Bulkhead Is Similar

Shampoo Bowl & Chair Omitted For Clarity

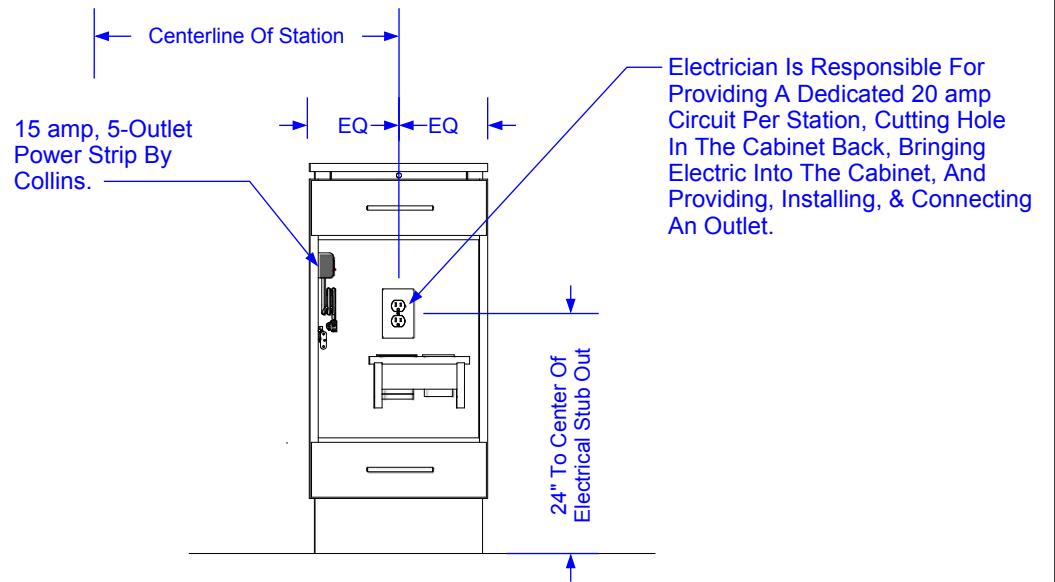
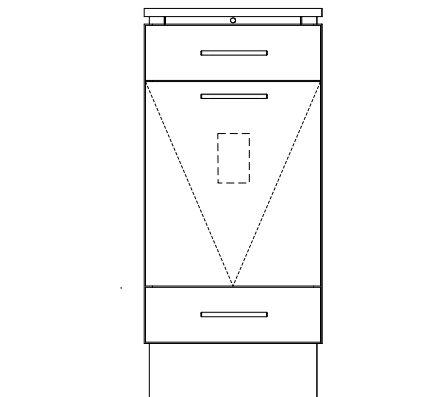
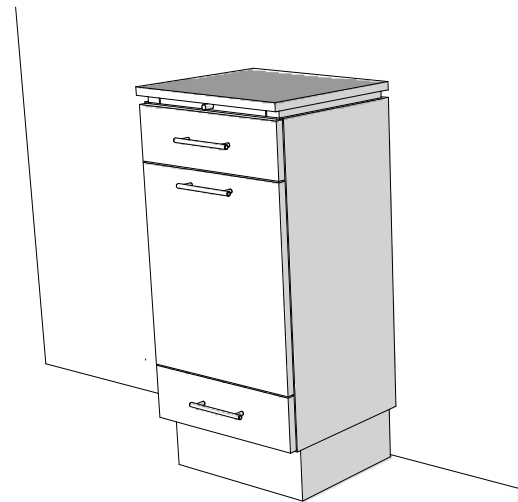
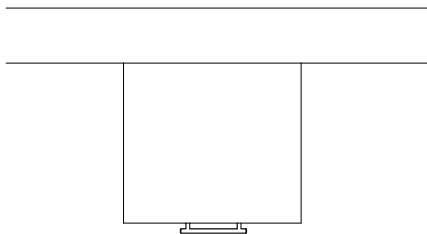
		Collins Manufacturing 2000 Bowser Road Cookeville, TN 38506	
		Title: Typical Stub Out Details	
Size:	Quotation or Sales Order Number:	Drawn By:	
NTS	SO #	MRB	
Prepared Date:	Revision Date:	Revision Number:	Sheet:
12/17/18	Date	Rev #	4 of 7



Stub Out Information - Adjust-A-Sink On Typical Wet Station
Adjust-A-Sink On A Wall Or Bulkhead Is Similar

Shampoo Bowl & Chair Omitted For Clarity
 See Adjust-A-Sink Installation Sheet For Additional Information

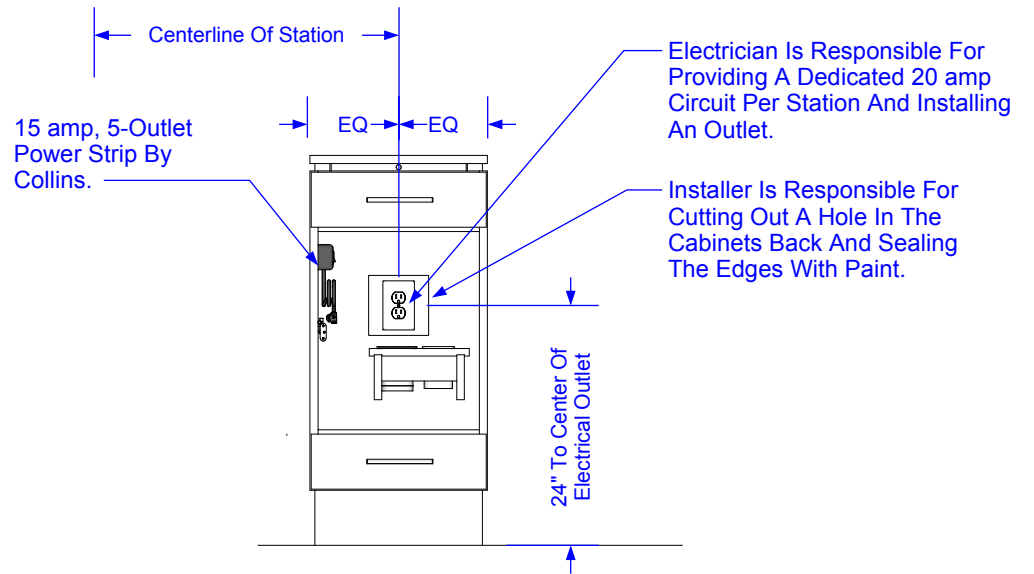
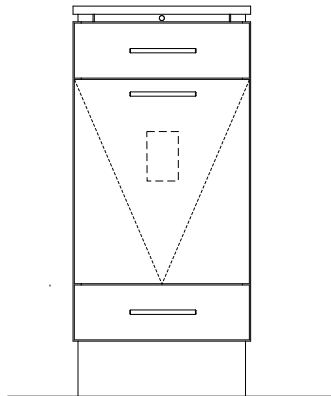
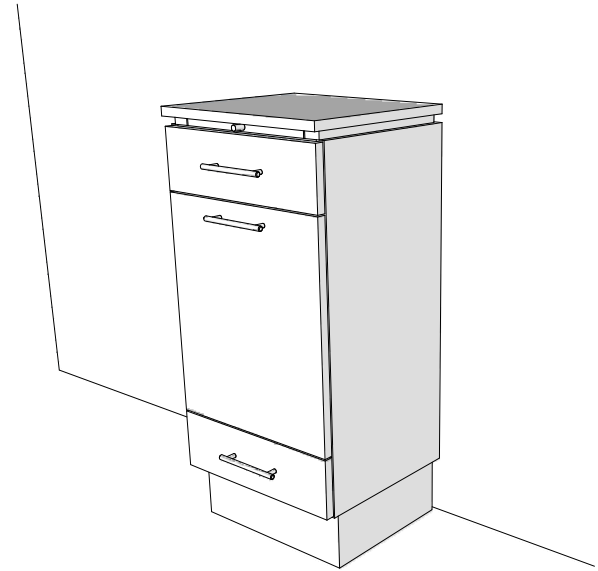
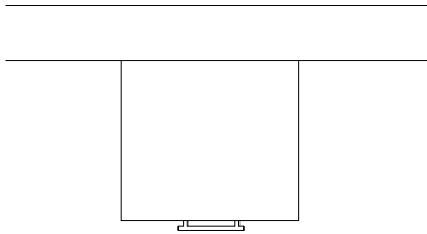
		Collins Manufacturing 2000 Bowser Road Cookeville, TN 38506	
		Title: Typical Stub Out Details	
Size: NTS	Quotation or Sales Order Number: SO #	Drawn By: MRB	
Prepared Date: 12/17/18	Revision Date: Date	Revision Number: Rev #	Sheet: 5 of 7



Stub Out Information - Tool Cabinet w/ Tilt-Out
Tool Door & Surface-Mounted Outlet Inside - Preferred Method


Door Omitted For Clarity

		Collins Manufacturing 2000 Bowser Road Cookeville, TN 38506	
		Title: Typical Stub Out Details	
Size:	Quotation or Sales Order Number:	Drawn By:	
NTS	SO #	MRB	
Prepared Date:	Revision Date:	Revision Number:	Sheet:
12/17/18	Date	Rev #	6 of 7



**Stub Out Information - Tool Cabinet w/ Tilt-Out
Tool Door & Wall-Mounted Outlet - Alternate Method**

Door Omitted For Clarity

		Collins Manufacturing 2000 Bowser Road Cookeville, TN 38506	
		Title: Typical Stub Out Details	
Size: NTS	Quotation or Sales Order Number: SO #	Drawn By: MRB	
Prepared Date: 12/17/18	Revision Date: Date	Revision Number: Rev #	Sheet: 7 of 7