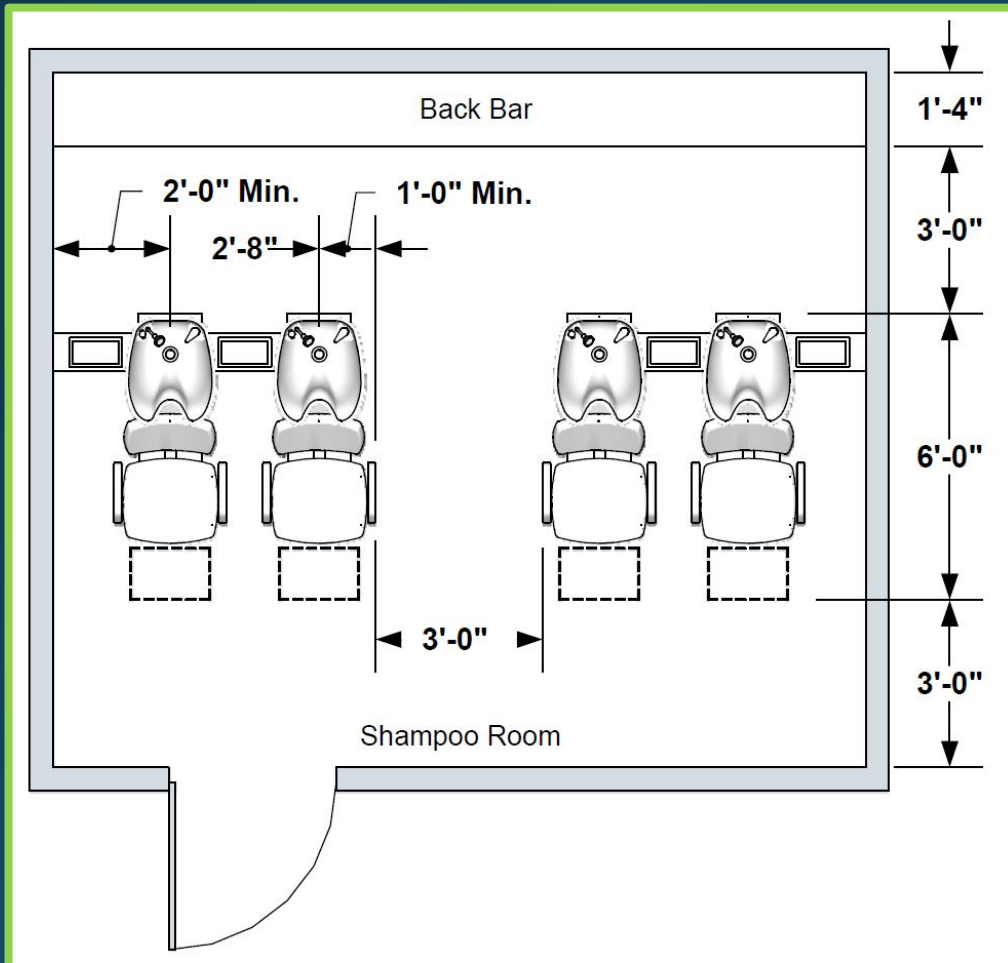


# Backwash Shampoo Space Required

## *Backwash Units in a Room*



## *Between Two Walls*



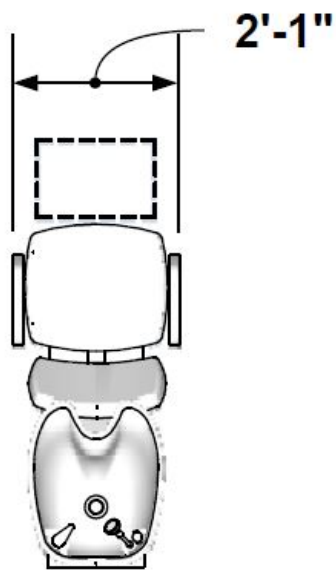
### **Backwash Shampoo:**

1. Allow 32" left to right for each unit.
2. Allow 30" to 36" behind units for stylists
3. Allow 60" for conventional chairs, or 72" for chairs with kickout leg rests.
4. Allow 3'-0" in front of chairs.
5. Allow 30" to 36" for aisles.
6. Overall, allow 13'-4" front to back, or 12'-4" as a minimum.

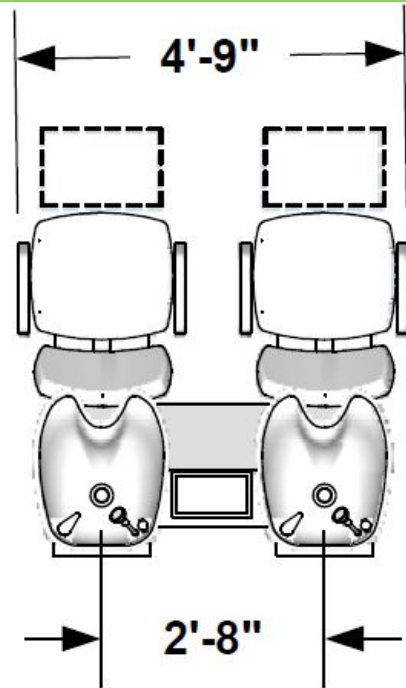


# Backwash Shampoo Space Required

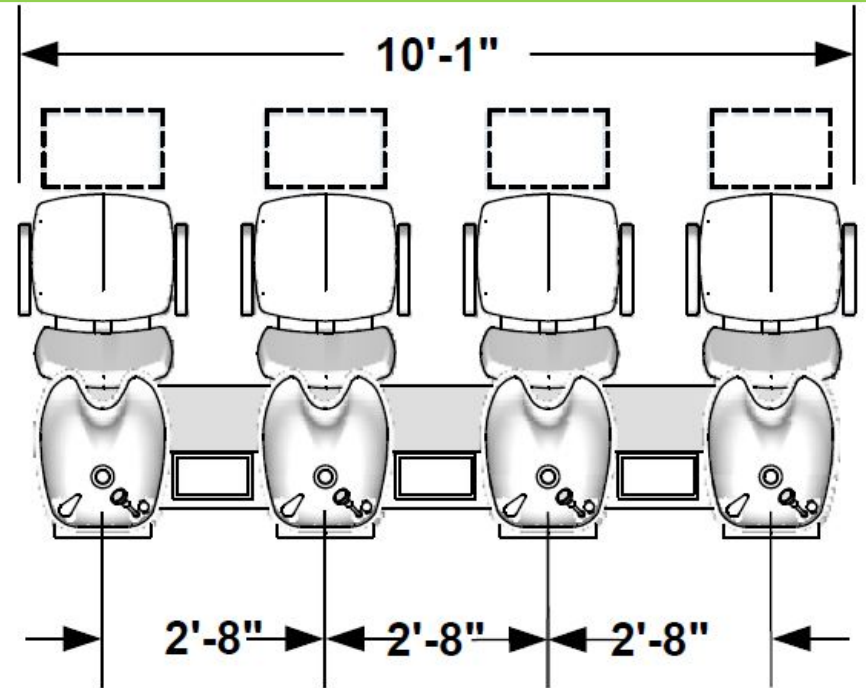
*Free Standing Backwash Stations – Plumbed from the Floor*



Single Shuttle Island



Double Shuttle Island

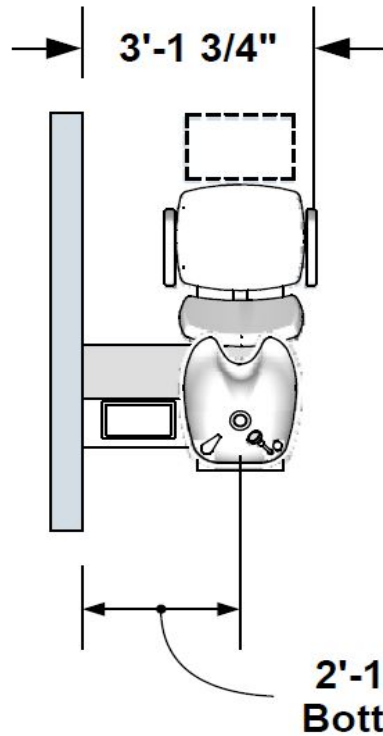


Multiple Shuttle Island



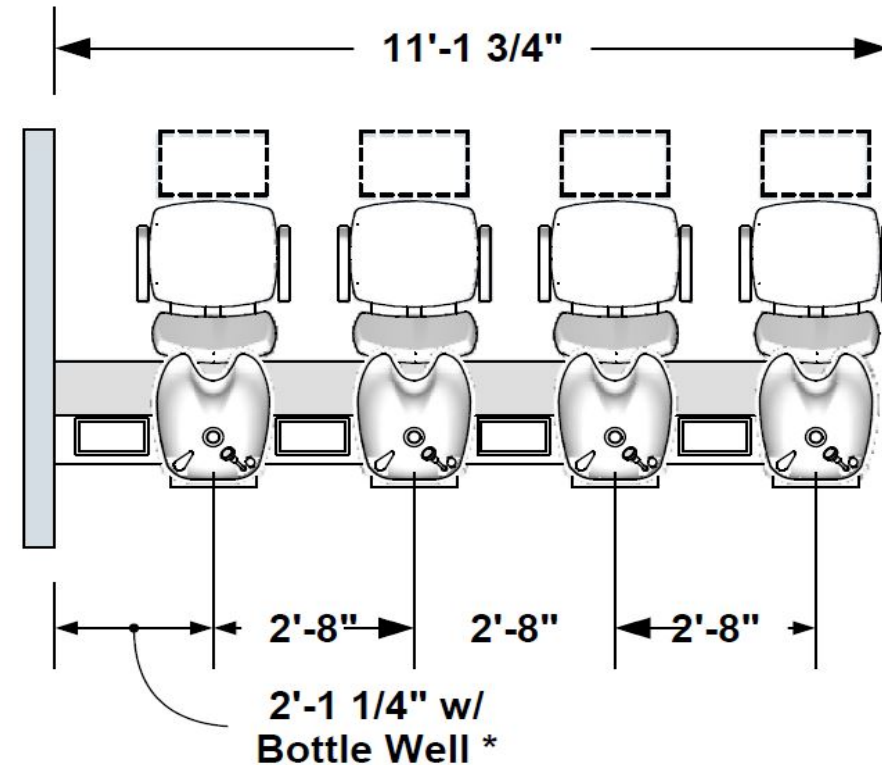
# Backwash Shampoo Space Required

## *Peninsula Arrangement – Plumbed from the Wall*



**Single Shuttle Peninsula - Configured Left**

\* This Dimension May Be Reduced To 1'-4" If The Bottle Well Is Deleted



**Multiple Shuttle Peninsula - Configured Left**

\* This Dimension May Be Reduced To 1'-4" If The Bottle Well Is Deleted

