

Door and drawer pull installation

Remove screws from the front of door/drawer face flip the pull from the inside of door/drawer to the outside reinstall the screws into the pull from inside the door/drawer.

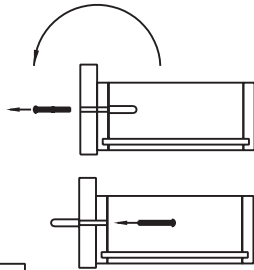


Diagram 1

Lift Lid Installation

Lift lid should be attached to the cabinet by inserting the shoulder bolt through the metal bracket, plastic spacer, and then into the threaded insert in the cabinet side.

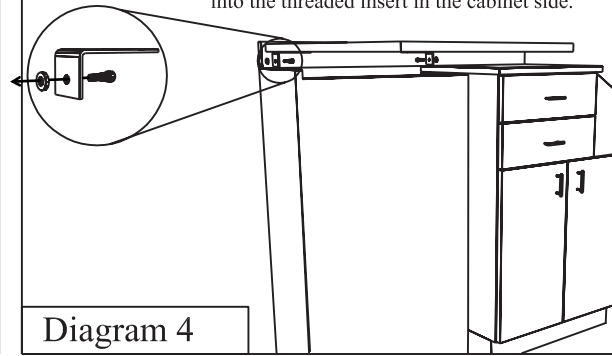


Diagram 4

Remove drawer by releasing the drawer slide lock tab ("fig. 1") Each slide has its own lock tab that must be released to remove drawer.

Removal of drawer is necessary to fasten cabinets together.

Pull drawer slide out

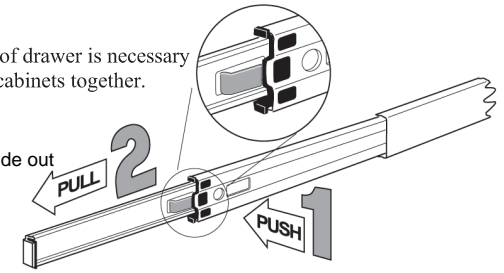
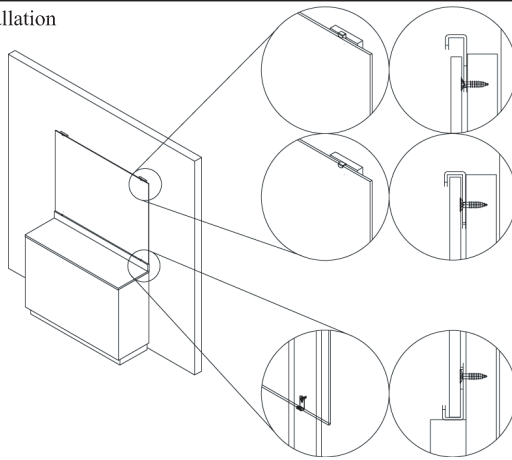


Fig. 1 Move tab up or down

Diagram 8 Drawer Removal

Mirror Installation



Mirrors are provided with mirror clips and wood screws. Attach one mirror clip at each corner approximately 2" in from the vertical edge.

Diagram 2

Purse Ledge Installation

Attach purse shelf to wall with 3" wood screw engaging at least two wall studs. Then attach shelf to the side of the cabinet using 1 1/2" wood screws with beauty washers.

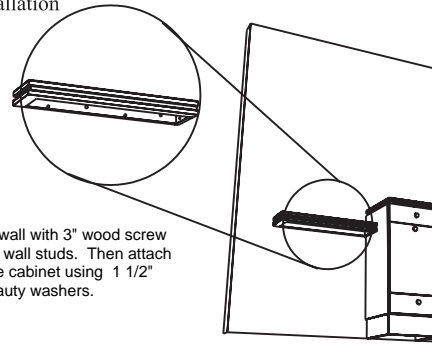
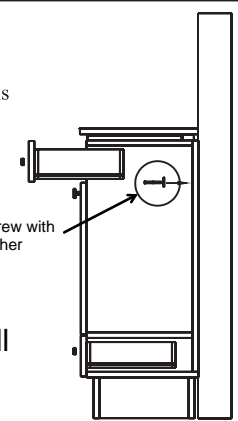


Diagram 5

Cabinets should be attached to wood framed walls by screwing through the interior back panel into wall studs or blocking. Fasteners for wood framed walls are provided. The fasteners for other wall types are not provided.

3" wood screw with beauty washer



Attaching Cabinet to Wall

Diagram 9

BackSplash/ Mending Plate Installation

Backsplashes are sent loose. Backsplashes may be attached by using provided mending plates or by using contractor's adhesive. If using mending plates, attach mending plates to backsplash then to the cabinet using the screws provided. See diagram below.

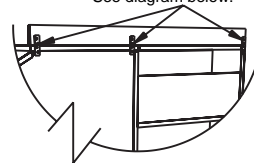
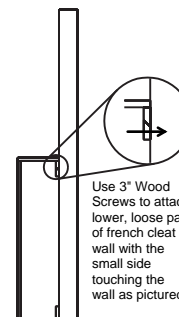


Diagram 6

French cleat detail

French cleat should be attached to the wall by screwing through the cleat into wall stud or blocking using the fasteners provided. The cleat should be level and at the indicated height.

The lower cleat that attaches to the wall is usually loosely attached to the back or inside (unfinished) of the cabinet with one or two wood screws. Remove cleat and mount to wall. The cabinet then hangs, or rests on the wall-mounted cleat as depicted.

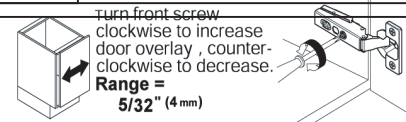


Use 3" Wood Screws to attach lower, loose part of french cleat to wall with the small side touching the wall as pictured.

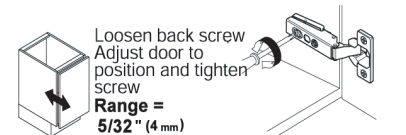
Diagram 7

Hinge adjustment detail

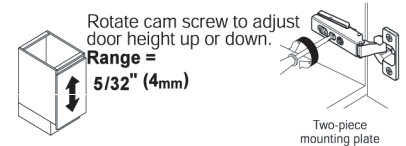
turn front screw clockwise to increase door overlay, counter-clockwise to decrease. Range = 5/32" (4mm)



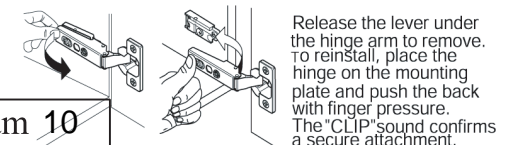
Loosen back screw Adjust door to position and tighten screw. Range = 5/32" (4mm)



Rotate cam screw to adjust door height up or down. Range = 5/32" (4mm)



Two-piece mounting plate

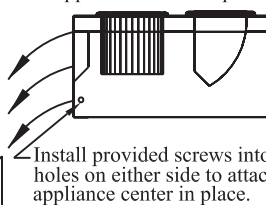


Release the lever under the hinge arm to remove. To reinstall, place the hinge on the mounting plate and push the back with finger pressure. The "CLIP" sound confirms a secure attachment.

Diagram 10

Appliance Center Installation

Install appliance center onto french cleat mounted on the back of door. Push the appliance center into place firmly then install screws into holes provided to attach and lock appliance center in place.



Install provided screws into holes on either side to attach appliance center in place.

Diagram 3